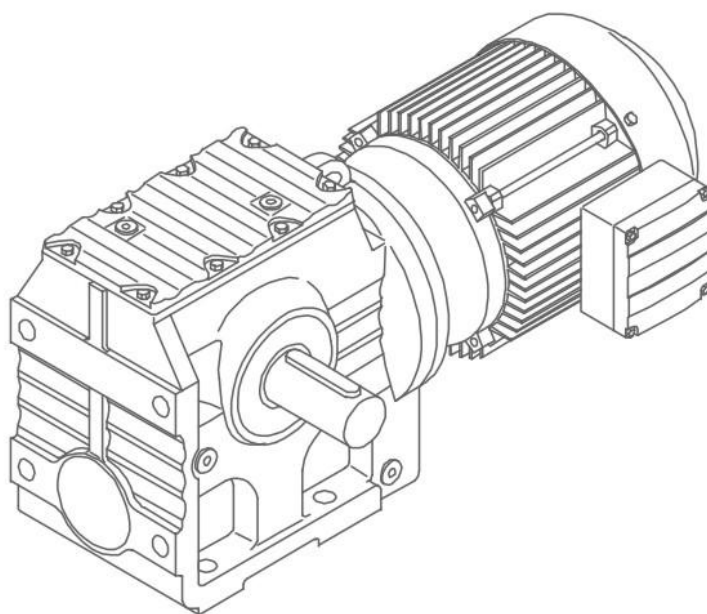


S系列斜齿轮-蜗轮蜗杆减速机

S helical-worm gear motor



型号说明 Model Notes

减速电机符号说明

S **A** **67** / **T** **D** **80** **N** **4** / **BMG** / **HF** / **TF** / **106.75** / **d45** / **B** / **M1** / **180°**

1 2 3 4 5 6 7 8 9 10 11 12 13 14 15 16

<p>1 产品代码</p> <p>R--斜齿轮减速机 F--平行轴-斜齿轮减速机 K--斜齿轮-伞齿轮减速机 S--斜齿轮-蜗轮蜗杆减速机</p>	<p>2 装配型式</p> <p>无代码 -- 底脚安装 F-- 法兰安装 A-- 空心轴安装 AF-- 法兰空心轴安装</p>	<p>3 减速机规格号</p> <p>67-- 减速机规格号为 67</p>	<p>4 扭矩臂</p> <p>无代码 -- 无扭矩臂 T-- 扭矩臂</p>	<p>5 电动机</p> <p>D--三相异步电动机(IP54) YB--隔爆型三相异步电动机 YGP--辊道用变频调速三相异步电动机 YZP--冶金、起重用变频调速三相异步电动机 YVP--变频调速三相异步电动机 YD--变频多速三相异步电动机</p>
<p>6 电动机规格代号</p> <p>80-- 电机中心高为 80mm</p>	<p>7 电动机定子铁心长度代号</p> <p>D、K、N、S、M、ML、L</p>	<p>8 电动机极数</p> <p>4-- 电动机极数为 4</p>	<p>9 制动器</p> <p>无代号 -- 无制动器 BMG--制动器</p>	<p>10 手动释放装置</p> <p>无代码-- 无手动释放装置 HF--手动释放锁在制动释放位置 HR--手动释放自动返回制动位置</p>
<p>11 电机热保护</p> <p>无代码-- 无电机热保护 TF--热敏电阻保护装置 PTC热敏电阻 TH--恒温器保护装置 双金属片开关</p>	<p>12 减速机传动比</p> <p>106.75-- 减速机传动比为 106.75</p>	<p>13 空心轴孔径</p> <p>d45-- 空心轴孔径为 45H7 (尺寸表中两种孔径选择一种)</p>	<p>14 轴指向</p> <p>A -- 轴指向为 A B -- 轴指向为 B AB -- 双输出轴</p>	<p>15 安装位置</p> <p>M1-- 安装型式图中 M1 位置</p>
<p>16 接线盒位置</p> <p>无代码 -- 安装型式图中 0° 位置 180°-- 安装型式图中 180° 位置</p>				

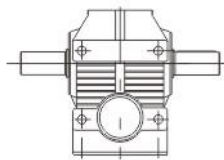
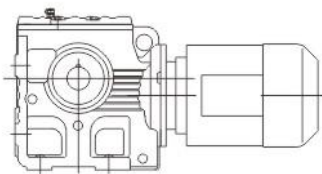


Code Introduction

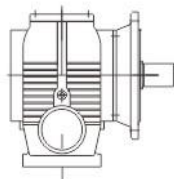
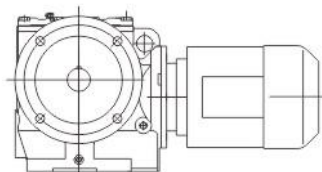
<p>1 Product Code</p> <p>R--Helical Geared Motor F--Parallel Shaft-Helical Geared Motor K--Helical-Bevel Geared Motor S--Helical-Worm Geared Motor</p>	<p>2 Unit Model</p> <p>No Code--Feet-mounted F--Flange-mounted A--Hollow Shaft-mounted AF--Flange-mounted with Hollow Shaft</p>	<p>3 Gear Unit Size</p> <p>67--Gear Unit Size 67</p>	<p>4 Torque Arm</p> <p>No Code--No Torque Arm T--Torque Arm</p>	<p>5 Electric Motor</p> <p>D---Three Phase Asynchronous Motor(IP 54) YB---Flame-proof Three Phase Asynchronous Motor YGP---Table Roller Three Phase Asynchronous Motor YZP---Metallurgy Hoist Frequency Variable Motor YVP---Frequency Variable Three Phase Motor YD---Multi Speed Three Phase Motor</p>
<p>6 Frame Size</p> <p>80---Motor Center Height 80mm</p>	<p>7 Stator Length</p> <p>D、K、N、S、M、ML、L</p>	<p>8 Number of Poles</p> <p>4--4P</p>	<p>9 Brake</p> <p>No Code--No Brakes BMG--Brakes</p>	<p>10 Brake Release</p> <p>No Code--No Brake Release HF--Manual release(lock in the brake release position) Brake Release HR--Manual release(automatic braking position)</p>
<p>11 Thermal Protection</p> <p>No Code--No Thermistor TF--Thermistor Sensor TF--Thermistor protection (PTC thermistor) TH--Thermostat protection (Bimetal switch)</p>	<p>12 Ratio</p> <p>108.03--Ratio 108.03</p>	<p>13 Hollow shaft diameter</p> <p>d45--Hollow shaft diameter is 45</p>	<p>14 Position of the Output Shaft</p> <p>A--Shaft with A B--Shaft with B AB--Shaft with A+B</p>	<p>15 Mounting Position</p> <p>M1--Mounting Position M1</p>
<p>16 Terminal Box Position</p> <p>No Code--Terminal Box Position is 0° 180° --Terminal Box Position is 180°</p>				

设计方案 Type of Geared Motors

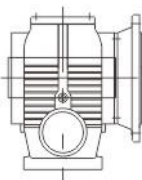
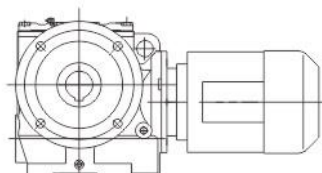
斜齿轮 - 蜗轮蜗杆齿轮减速电机有以下设计方案:
The following types of helical-worm gearmotors can be supplied.



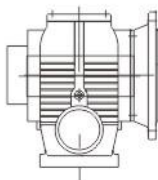
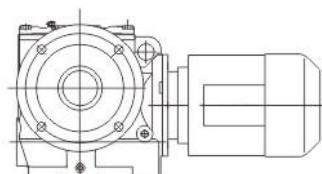
S..D..
底脚安装斜齿轮 - 蜗轮蜗杆齿轮减速电机
Foot-mounted helical-worm gearmotor



SF..D..
法兰盘安装斜齿轮 - 蜗轮蜗杆齿轮减速电机
Helical-worm gearmotor in B5 flange-mounted version.



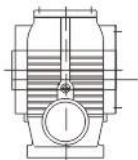
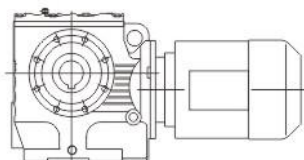
SAF..D..
B5 法兰空心轴安装斜齿轮 - 蜗轮蜗杆齿轮减速电机
Helical-worm gearmotor in B5 flange-mounted version
with hollow shaft.



SHF..D..
B5 法兰空心轴锁紧盘安装斜齿轮 - 蜗轮蜗杆齿轮减
速电机
Helical-worm gearmotor in B5 flange-mounted version
with hollow shaft and shrink disk.

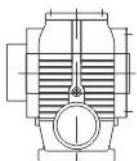
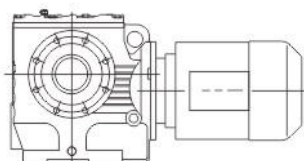


S系列斜齿轮-蜗轮蜗杆减速机/S helical- worm geared motors



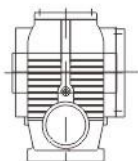
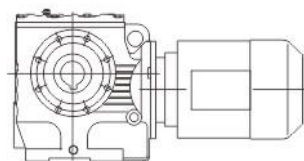
SA..D..

空心轴安装斜齿轮 - 蜗轮蜗杆齿轮减速电机
Helical-worm gearmotor with hollow shaft.



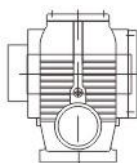
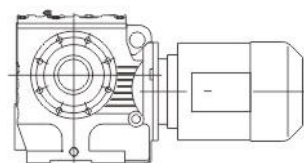
SH..D..

空心轴锁紧盘安装斜齿轮 - 蜗轮蜗杆齿轮减速电机
Helical-worm gearmotor with hollow shaft and shrink disk.



SAZ..D..

B14 法兰空心轴安装斜齿轮 - 蜗轮蜗杆齿轮减速电机
Helical-worm gearmotor in B14 flange-mounted version
with hollow shaft.



SHZ..D..

B14 法兰空心轴锁紧盘安装斜齿轮 - 蜗轮蜗杆齿轮减
速电机
Helical-worm gearmotor in B14 flange-mounted version
with hollow shaft and shrink disk.

S系列斜齿轮-蜗轮蜗杆减速机/S helical- worm geared motors

可行的组合方式 Type of combination

以下是斜齿轮蜗杆减速与交流(带制动)电机的组合列表。表中给出了每种组合的速比范围。
The below is combination table between gear box and electromotor in each list the ratio range.

减速机型号 Gear unit size	级 Stages	D63 D71	D80	D90	D100	D112	D132S	D132M
S/SF/SA/SAF37	2	6.80-18.24 19.89-51.30 55.93-157.43	6.80-15.53 19.13 22.50-43.68 53.83 63.33-122.94	6.80-13.39 19.13 22.50-37.66 53.83 63.33-106.00				
S/SF/SA/SAF47	2	7.28-17.62 20.33-54.59 63.80-201.00	7.28-17.62 20.33-54.59 67.20 71.75-158.12	7.28-19.54 23.20-47.32 56.61 67.20 71.75-137.05	7.28-14.24 19.54 23.20-38.23 56.61 67.20 71.75-110.73			
S/SF/SA/SAF57	2	7.28-17.62 20.33-54.59 63.80-201.00	7.28-17.62 20.33-54.59 67.20 71.75-158.12	7.28-19.54 23.20-47.32 56.61 67.20 71.75-137.05	7.28-14.24 19.54 23.20-38.23 56.61 67.20 71.75-110.73			
S/SF/SA/SAF67	2	11.03-17.28 20.37-23.22 24.44 29.63-54.70 62.35-65.63 75.06 85.83-217.41	8.69-17.28 20.37-23.22 24.44-54.70 62.35-65.63 75.06 85.83-217.41	7.56-17.28 20.37-23.22 24.44-54.70 62.35-65.63 78.00-190.1	7.56-17.28 20.37 23.33 26.93-54.70 67.57 78.00-158.45	7.56-20.30 23.33 26.93-46.40 58.80 67.57 78.00-134.40	7.56-13.73 20.30 23.33 26.93-36.85 58.80 67.57 78.00-106.75	7.56-13.73 20.30 23.33 26.93-36.85 58.80 67.57 78.00-106.75
S/SF/SA/SAF77	2	15.28-18.42 20.99 22.89 35.94-53.87 63.03 71.33-75.09 107.83-256.47	12.07-18.42 20.99 22.89 28.41-53.87 63.03 71.33-75.09 85.22-256.47	8.06-18.42 20.99 22.89-75.09 85.22-225.26	8.06-18.42 20.99 22.89-66.67 75.20-189.09	8.06-18.42 20.99 22.89-56.92 66.67 75.20-161.60	8.06-18.97 22.22 25.07-43.33 56.92 66.67 75.20-130.00	8.06-18.97 22.22 25.07-43.33 56.92 66.67 75.20-130.00
S/SF/SA/SAF87	2		17.49-19.70 21.43 25.50 39.10-57.00 64.27-70.43 81.76 91.20 123.48-288.00	12.21-19.70 21.43 25.50-57.00 64.27-70.43 81.76-288.00	9.07-19.70 21.43 25.50-57.00 64.27-86.15 99.26-258.18	9.07-19.70 21.43 25.50-57.00 64.27-77.14 86.15 99.26-222.40	7.88-19.70 21.43 25.50-64.00 77.14 86.15 99.26-180.00	7.88-19.70 21.43 25.50-64.00 77.14 86.15 99.26-180.00
S/SF/SA/SAF97	2		23.59 26.39 49.87-60.59 71.43 80.85 161.74-286.40	17.05-23.59 26.39 36.05-60.59 71.43 80.85 116.92-286.40	13.07-23.859 26.39 32.60-60.59 71.43 80.85-286.40	13.07-23.59 26.39 32.60-60.59 71.43 80.85-286.40	8.26-23.59 26.39 32.60-78.26 71.43 89.60-231.67	8.26-23.59 26.39 32.60-78.26 71.43 89.60-231.67
减速机型号 Gear unit size	级 Stages	D132ML	D160M	D160L	D180			
S/SF/SA/SAF77	2	8.06-13.76 18.97 22.22 25.07-32.38 56.92 66.67 75.20-97.14	8.06-13.76 18.97 22.22 25.07-32.38 56.92 66.67 75.20-97.14					
S/SF/SA/SAF87	2	7.88-20.27 24.43 27.28-44.03 64.00 77.14 86.15 99.26-139.05	7.88-20.27 24.43 27.28-44.03 64.00 77.14 86.15 99.26-139.05	7.88-20.27 24.43 27.28-44.03 64.00 77.14 86.15 99.26-139.05	7.88-15.64 20.27 24.43 27.28-34.96 64.00 77.14 86.15 99.26-110.40			
S/SF/SA/SAF97	2	8.26-23.59 26.39 32.60-55.79 65.45 78.26 89.60-180.95	8.26-23.59 26.39 32.60-55.79 65.45 78.26 89.60-180.95	8.26-23.59 26.39 32.60-55.79 65.45 78.26 89.60-180.95	8.26-21.23 24.13 27.63-44.89 65.45 78.26 89.60-145.60			



S系列斜齿轮-蜗轮蜗杆减速机/S helical-worm geared motors

输出转速 Output speed n_a [r/min]	输出转矩 Output torque M_a [N·m]	传动比 Ratio i	径向负荷 Permitted overhung load F_{ra} [N]	使用系数 Service factor f_b	机型号 Model	电机极数 Pole P
0.18kW						
3.0	345	438	6630	0.85		
3.4	305	388	7040	1.00		
3.9	270	336	7350	1.10	S 57R17	4
4.5	235	294	7600	1.30	SF 57R17	4
4.9	220	269	7690	1.35	SA 57R17	4
5.8	188	229	7860	1.60	SAF 57R17	4
6.5	169	204	7950	1.80		
7.1	154	187	8010	1.95		
4.5	230	294	4910	0.80		
5.1	158	257	5400	1.15		
5.8	185	229	5200	1.00	S 47R17	4
6.6	162	200	5330	1.15	SF 47R17	4
7.1	152	187	5380	1.20	SA 47R17	4
8.0	134	165	5470	1.40	SAF 47R17	4
8.9	121	148	5530	1.55		
10	108	131	5590	1.70		
4.0	255	217.41	10300	2.2	S 67	6
4.6	225	190.11	10400	2.5	SF 67	6
4.8	215	180.60	10400	2.6	SA 67	6
					SAF 67	6
4.3	220	201.00	7670	1.35	S 57	6
4.7	205	184.80	7760	1.45	SF 57	6
5.5	180	158.12	7900	1.65	SA 57	6
6.3	159	137.05	7990	1.85	SAF 57	6
6.6	154	201.00	8010	1.90	S 57	4
7.1	143	184.80	8050	2.1	SF 57	4
8.4	125	158.12	8120	2.4	SA 57	4
9.6	110	137.05	8160	2.7	SAF 57	4
4.3	215	201.00	5090	0.85	S 47	6
4.7	199	184.80	5180	0.95	SF 47	6
5.5	173	158.12	5320	1.00	SA 47	6
6.3	153	137.05	5420	1.10	SAF 47	6
6.8	144	128.10	5470	1.20		
6.6	149	201.00	5440	1.15		
7.1	138	184.80	5490	1.25		
8.4	121	158.12	5570	1.40		
9.6	107	137.05	5630	1.60	S 47	4
10	100	128.10	5660	1.65	SF 47	4
12	88	110.73	5700	1.90	SA 47	4
14	77	94.08	5750	2.2	SAF 47	4
16	69	84.00	5770	2.4		
18	60	71.75	5800	2.8		
19	69	69.39	5750	2.2		
8.4	115	157.43	3000	0.80		
9.1	107	144.40	3000	0.85	S 37	4
11	93	122.94	3000	1.00	SF 37	4
12	82	106.00	3000	1.10	SA 37	4
13	77	98.80	3000	1.15	SAF 37	4
15	68	86.36	3000	1.25		
16	64	80.96	3000	1.30		
18	58	71.44	3000	1.45		
21	52	63.33	3000	1.60		
24	55	55.93	3000	1.45		
26	51	51.30	3000	1.60		
30	44	43.68	3000	1.85		
35	38	37.66	3000	2.1		
38	36	35.10	3000	2.2		
43	32	30.68	3000	2.4	S 37	4
46	30	28.76	3000	2.5	SF 37	4
52	27	25.38	3000	2.8	SA 37	4
59	24	22.50	3000	3.1	SAF 37	4
66	22	19.89	3000	2.3		
72	21	18.24	2940	2.5		
85	18	15.53	2810	2.8		
99	15	13.39	2700	3.2		
106	14	12.48	2650	3.4		
121	13	10.91	2550	3.8		
129	12	10.23	2500	4.0		

输出转速 Output speed n_a [r/min]	输出转矩 Output torque M_a [N·m]	传动比 Ratio i	径向负荷 Permitted overhung load F_{ra} [N]	使用系数 Service factor f_b	机型号 Model	电机极数 Pole P
0.25kW						
0.45	2860	2905	24300	0.85		
0.50	2500	2586	27500	1.00		
0.56	2240	2335	28000	1.10	S 87 R57	4
0.63	1950	2054	28500	1.30	SF 87 R57	4
0.71	1730	1824	28900	1.45	SA 87 R57	4
0.80	1550	1631	29100	1.60	SAF 87 R57	4
1.4	910	930	29800	2.8		
1.4	1230	954	12100	1.00		
1.5	1080	837	13300	1.15	S 77 R37	4
1.8	910	714	14400	1.35	SF 77 R37	4
2.0	810	637	14900	1.55	SA 77 R37	4
2.3	730	574	15200	1.70	SAF 77 R37	4
2.6	625	499	15600	2.0		
2.4	635	543	7420	0.90		
2.8	540	469	8500	1.05	S 67 R37	4
3.1	485	424	8970	1.15	SF 67 R37	4
3.6	430	365	9390	1.30	SA 67 R37	4
4.1	375	319	9750	1.50	SAF 67 R37	4
4.6	330	281	9990	1.75		
4.4	340	294	6720	0.90		
4.8	315	269	6950	0.95		
5.7	270	229	7330	1.10	S 57 R17	4
6.4	245	204	7530	1.25	SF 57 R17	4
6.9	225	187	7660	1.35	SA 57 R17	4
7.9	198	165	7810	1.50	SAF 57 R17	4
9.9	159	131	7990	1.90		
3.1	435	217.41	9350	1.30	S 67	8
3.6	390	190.11	9670	1.45	SF 67	8
3.8	370	180.60	9770	1.50	SA 67	8
4.3	330	158.45	9980	1.70	SAF 67	8
4.1	350	217.41	9890	1.60	S 67	6
4.6	310	190.11	10100	1.80	SF 67	6
4.9	295	180.60	10100	1.90	SA 67	6
5.6	265	158.45	10300	2.1	SAF 67	6
6.0	245	217.41	10300	2.1		
6.8	220	190.11	10400	2.4		
7.2	210	180.60	10500	2.5	S 67	4
8.2	187	158.45	10500	2.8	SF 67	4
9.7	161	134.40	10600	3.2	SA 67	4
11	147	121.33	10600	3.5	SAF 67	4
12	131	106.75	10700	4.0		
4.4	305	201.00	7050	1.00		
4.8	285	184.80	7230	1.05	S 57	6
5.6	245	158.12	7510	1.20	SF 57	6
6.4	220	137.05	7690	1.35	SA 57	6
6.9	205	128.10	7760	1.45	SAF 57	6
6.5	215	201.00	7700	1.35		
7.0	200	184.80	7790	1.45		
8.2	176	158.12	7920	1.70	S 57	4
9.5	155	137.05	8010	1.90	SF 57	4
10	146	128.10	8040	2.0	SA 57	4
12	129	110.73	8110	2.3	SAF 57	4
14	111	94.08	8160	2.7		
15	101	84.00	8190	2.9		



S系列斜齿轮-蜗轮蜗杆减速机/S helical- worm geared motors



输出转速 Output speed n_a [r/min]	输出转矩 Output torque M_a [N·m]	传动比 Ratio i	径向负荷 Permitted overhung load F_{ra} [N]	使用系数 Service factor f_b	机型号 Model	电机极数 Pole P
0.25kW						
6.5	210	201.00	5120	0.80		
7.0	195	184.80	5210	0.85		
8.2	170	158.12	5340	1.00		
9.5	150	137.05	5440	1.10		
10	141	128.10	5480	1.20		
12	124	110.73	5560	1.35	S 47	4
14	108	94.08	5630	1.55	SF 47	4
15	98	84.00	5670	1.70	SA 47	4
18	85	71.75	5720	1.95	SAF 47	4
19	97	69.39	5640	1.60		
19	80	67.20	5740	2.1		
20	90	63.80	5670	1.70		
24	78	54.59	5720	2.0		
27	68	47.32	5760	2.3		
13	108	98.80	3000	0.80		
15	96	86.36	3000	0.90		
16	91	80.96	3000	0.95		
18	81	71.44	3000	1.05		
21	73	63.33	3000	1.10		
23	78	55.93	3000	1.05		
25	72	51.30	3000	1.15		
30	62	43.68	3000	1.30		
35	54	37.66	3000	1.45		
37	51	35.10	3000	1.55		
42	45	30.68	3000	1.70	S 37	4
45	42	28.76	3000	1.80	SF 37	4
51	37	25.38	3000	2.0	SA 37	4
58	33	22.50	3000	2.2	SAF 37	4
65	32	19.89	2870	1.65		
71	29	18.24	2820	1.80		
84	25	15.53	2710	2.0		
97	22	13.39	2620	2.3		
104	20	12.48	2570	2.4		
119	18	10.91	2480	2.7		
127	17	10.23	2440	2.8		
144	15	9.02	2360	3.1		
163	13	8.00	2290	3.4		
191	11	6.80	2180	3.8		
92	21	28.76	2740	3.0		
105	19	25.38	2650	3.3		
118	17	22.50	2560	3.4	S 37	2
134	16	19.89	2410	2.8	SF 37	2
146	15	18.24	2350	3.0	SA 37	2
171	13	15.53	2250	3.4	SAF 37	2
199	11	13.39	2160	3.8		
213	10	12.48	2120	4.0		
0.37kW						
0.67	2810	2054	25400	0.90	S 87 R57	4
0.76	2490	1824	27500	1.00	SF 87 R57	4
0.85	2230	1631	28000	1.10	SA 87 R57	4
1.5	1320	930	29400	1.90	SAF 87 R57	4
1.7	1190	831	29500	2.1		
1.9	1290	714	11500	0.95		
2.2	1150	637	12700	1.10	S 77 R37	4
2.4	1040	574	13600	1.20	SF 77 R37	4
2.8	900	499	14400	1.40	SA 77 R37	4
3.2	785	438	15000	1.60	SAF 77 R37	4
3.5	700	389	15400	1.80		
3.8	615	365	7700	0.95	S 67 R37	4
4.3	535	319	8540	1.05	SF 67 R37	4
4.9	470	281	9080	1.20	SA 67 R37	4
5.6	425	246	9430	1.35	SAF 67 R37	4
2.4	980	288.00	29700	2.5	S 87	8
2.6	890	258.18	29800	2.8	SF 87	8
3.1	775	222.40	29900	3.2	SA 87	8
					SAF 87	8

输出转速 Output speed n_a [r/min]	输出转矩 Output torque M_a [N·m]	传动比 Ratio i	径向负荷 Permitted overhung load F_{ra} [N]	使用系数 Service factor f_b	机型号 Model	电机极数 Pole P
0.37kW						
3.0	735	225.26	15200	1.75	S 77	8
3.2	700	214.00	15300	1.80	SF 77	8
3.6	630	189.09	15600	2.0	SA 77	8
4.2	545	161.60	15900	2.3	SAF 77	8
3.5	645	256.47	15600	2.0	S 77	6
4.0	575	225.26	15800	2.2	SF 77	6
4.2	545	214.00	15900	2.3	SA 77	6
					SAF 77	6
4.1	505	217.41	8810	1.10	S 67	6
4.7	450	190.11	9260	1.25	SF 67	6
5.0	430	180.60	9400	1.30	SA 67	6
5.7	380	158.45	9700	1.45	SAF 67	6
6.3	345	217.41	9900	1.50		
7.3	310	190.11	10100	1.70	S 67	4
7.6	295	180.60	10200	1.75	SF 67	4
8.7	260	158.45	10300	2.0	SA 67	4
10	225	134.40	10400	2.3	SAF 67	4
11	205	121.33	10500	2.5		
5.7	360	158.12	6490	0.80		
6.6	315	137.05	6930	0.95	S 57	6
7.0	300	128.10	7100	1.00	SF 57	6
8.1	265	110.73	7390	1.10	SA 57	6
9.6	230	94.08	7630	1.30	SAF 57	6
11	205	84.00	7760	1.45		
6.9	305	201.00	7050	0.95		
7.5	285	184.80	7230	1.05		
8.7	245	158.12	7510	1.20		
10	220	137.05	7690	1.35		
11	205	128.10	7770	1.45	S 57	4
12	180	110.73	7900	1.65	SF 57	4
15	156	94.08	8000	1.90	SA 57	4
16	141	84.00	8060	2.1	SAF 57	4
19	122	71.75	8130	2.4		
20	139	69.39	8070	1.75		
21	115	67.20	8150	2.5		
22	128	63.80	8110	1.90		
10	210	137.05	5110	0.80		
11	199	128.10	5190	0.85		
12	175	110.73	5320	0.95		
15	151	94.08	5430	1.10		
16	137	84.00	5500	1.20		
19	119	71.75	5580	1.40		
20	136	69.39	5460	1.15		
21	112	67.20	5610	1.50		
22	126	63.80	5510	1.25	S 47	4
25	109	54.59	5590	1.40	SF 47	4
29	96	47.32	5410	1.60	SA 47	4
31	90	44.22	5330	1.75	SAF 47	4
36	78	38.23	5140	2.0		
42	67	32.48	4930	2.3		
48	60	29.00	4790	2.6		
56	52	24.77	4590	3.0		
59	49	23.20	4510	3.1		
68	46	20.33	4180	2.4		
78	40	17.62	4030	2.8		
84	37	16.47	3960	3.0		

S系列斜齿轮-蜗轮蜗杆减速机/S helical- worm geared motors

输出转速 Output speed n_a [r/min]	输出转矩 Output torque M_a [N·m]	传动比 Ratio i	径向负荷 Permitted overhung load F_{Ra} [N]	使用系数 Service factor f_b	机型号 Model	电机极数 Pole P
0.37kW						
22	103	63.33	3000	0.80		
27	101	51.30	3000	0.80		
32	87	43.68	3000	0.95		
37	76	37.66	3000	1.05		
39	71	35.10	3000	1.10		
45	63	30.68	3000	1.20		
48	59	28.76	3000	1.30		
54	52	25.38	2940	1.40	S 37	4
61	47	22.50	2870	1.55	SF 37	4
69	44	19.89	2610	1.20	SA 37	4
76	41	18.24	2570	1.30	SAF37	4
89	35	15.53	2500	1.45		
103	30	13.39	2420	1.60		
111	28	12.48	2390	1.70		
127	25	10.91	2320	1.95		
135	23	10.23	2280	2.0		
153	21	9.02	2220	2.2		
173	18	8.00	2150	2.5		
203	16	6.80	2070	2.7		
104	28	25.38	2540	2.2		
118	25	22.50	2460	2.3		
133	24	19.89	2290	1.85		
145	22	18.24	2250	2.0	S 37	2
171	19	15.53	2160	2.3	SF 37	2
198	16	13.39	2080	2.5	SA 37	2
212	15	12.48	2040	2.7	SAF37	2
243	13	10.91	1970	3.0		
259	12	10.23	1940	3.1		
294	11	9.02	1870	3.3		
0.55kW						
1.0	2810	1332	25400	0.90		
1.1	2540	1191	27400	1.00	S 87 R57	4
1.3	2210	1032	28100	1.15	SF 87 R57	4
1.5	2040	930	28400	1.25	SA 87 R57	4
1.6	1840	831	28700	1.35	SAF87 R57	4
1.9	1600	719	29000	1.55		
2.2	1400	624	29300	1.80		
2.4	1270	558	29400	1.95		
3.1	1010	435	29700	2.4		
3.1	1210	438	12300	1.05	S 77 R37	4
3.5	1070	389	13300	1.15	SF 77 R37	4
4.2	910	327	14300	1.35	SA 77 R37	4
4.7	820	289	14800	1.50	SAF77 R37	4
5.4	710	250	15300	1.75		
5.5	650	246	6600	0.90	S 67 R37	4
6.2	580	221	8080	1.00	SF 67 R37	4
6.9	530	198	8590	1.10	SA 67 R37	4
8.1	455	168	9230	1.25	SAF67 R37	4
2.4	1450	288.00	29200	1.70	S 87	8
2.6	1320	258.18	29400	1.85	SF 87	8
3.1	1150	222.40	29600	2.1	SA 87	8
					SAF87	8
3.1	1130	288.00	29600	2.2	S 87	6
3.5	1020	258.18	29700	2.4	SF 87	6
4.1	900	222.40	29800	2.7	SA 87	6
4.4	820	202.96	29800	2.9	SAF87	6
3.0	1090	225.26	13200	1.15	S 77	8
3.2	1040	214.00	13500	1.20	SF 77	8
3.6	930	189.09	14200	1.35	SA 77	8
4.2	810	161.60	14900	1.55	SAF77	8
3.5	960	256.47	14100	1.35	S 77	6
4.0	850	225.26	14700	1.50	SF 77	6
4.2	810	214.00	14800	1.55	SA 77	6
4.8	730	189.09	15200	1.75	SAF77	6
5.6	635	161.60	15600	2.0		

输出转速 Output speed n_a [r/min]	输出转矩 Output torque M_a [N·m]	传动比 Ratio i	径向负荷 Permitted overhung load F_{Ra} [N]	使用系数 Service factor f_b	机型号 Model	电机极数 Pole P
0.55kW						
5.3	660	256.47	15500	1.90	S 77	4
6.0	590	225.26	15800	2.2	SF 77	4
6.4	560	214.00	15800	2.3	SA 77	4
7.2	505	189.09	16000	2.5	SAF 77	4
6.3	520	217.41	8660	1.00		
7.2	465	190.11	9150	1.10		
7.5	445	180.60	9300	1.15		
8.6	395	158.45	9620	1.30	S 67	4
10	340	134.40	9930	1.55	SF 67	4
11	310	121.33	10100	1.65	SA 67	4
13	275	106.75	10200	1.85	SAF 67	4
13	265	100.80	10300	1.95		
16	230	85.83	10400	2.3		
18	230	75.06	10400	2.1		
21	205	65.63	10500	2.3		
9.6	340	94.08	6710	0.85		
11	305	84.00	7030	0.95		
13	265	71.75	7360	1.10	S 57	6
13	250	67.20	7470	1.15	SF 57	6
16	245	54.59	7520	1.10	SA 57	6
19	215	47.32	7710	1.25	SAF 57	6
20	200	44.22	7790	1.35		
24	176	38.23	7920	1.55		
8.6	370	158.12	6330	0.80		
9.9	330	137.05	6820	0.90		
11	310	128.10	7010	0.95		
12	270	110.73	7320	1.10		
14	235	94.08	7590	1.25		
16	210	84.00	7730	1.40		
19	184	71.75	7880	1.55	S 57	4
20	174	67.20	7930	1.65	SF 57	4
25	167	54.59	7960	1.45	SA 57	4
29	146	47.32	8040	1.70	SAF 57	4
31	137	44.22	8080	1.80		
36	120	38.23	8130	2.0		
42	103	32.48	7970	2.4		
47	92	29.00	7730	2.7		
55	79	24.77	7390	3.1		
59	75	23.20	7250	3.3		
67	69	20.33	6760	2.4		
16	205	84.00	5140	0.80		
19	179	71.75	5290	0.95		
20	169	67.20	5350	1.00		
25	165	54.59	5130	0.95		
29	144	47.32	5010	1.10		
31	135	44.22	4950	1.15		
36	118	38.23	4810	1.30		
42	101	32.48	4650	1.55	S 47	4
47	91	29.00	4540	1.70	SF 47	4
55	78	24.77	4380	2.0	SA 47	4
59	74	23.20	4310	2.1	SAF 47	4
67	69	20.33	3920	1.60		
77	60	17.62	3810	1.85		
83	56	16.47	3750	1.95		
96	49	14.24	3630	2.2		
112	42	12.10	3500	2.6		
126	37	10.80	3400	2.9		
147	32	9.23	3270	3.4		



S系列斜齿轮-蜗轮蜗杆减速机/S helical-worm geared motors



输出转速 Output speed n_a [r/min]	输出转矩 Output torque M_a [N·m]	传动比 Ratio i	径向负荷 Permitted overhung load F_{ra} [N]	使用系数 Service factor f_s	机型号 Model	电机极数 Pole P
0.55kW						
44	94	30.68	2680	0.80		
47	89	28.76	2670	0.85		
54	79	25.38	2630	0.95		
60	70	22.50	2600	1.05		
71	60	19.13	2540	1.20		
88	53	15.53	2230	0.95	S 37	4
102	46	13.39	2200	1.10	SF 37	4
109	43	12.48	2180	1.15	SA 37	4
125	37	10.91	2130	1.30	SAF 37	4
133	35	10.23	2110	1.35		
151	31	9.02	2070	1.50		
170	28	8.00	2020	1.60		
200	24	6.80	1950	1.80		
94	46	28.76	2420	1.40		
106	41	25.38	2360	1.50		
120	37	22.50	2310	1.55		
136	34	19.89	2100	1.30		
148	32	18.24	2070	1.40	S 37	2
174	27	15.53	2010	1.55	SF 37	2
202	24	13.39	1950	1.75	SA 37	2
216	22	12.48	1920	1.85	SAF 37	2
248	19	10.91	1870	2.0		
264	18	10.23	1840	2.1		
299	16	9.02	1780	2.2		
338	14	8.00	1730	2.5		
397	12	6.80	1660	2.4		
0.75kW						
1.1	4840	1223	21300	0.85		
1.3	4240	1070	30700	1.00		
1.5	3650	928	33900	1.15	S 97R57	4
1.7	3230	824	34600	1.30	SF 97R57	4
1.9	2300	714	35900	1.85	SA 97R57	4
2.2	2450	626	35700	1.70	SAF 97R57	4
2.6	2110	538	36100	2.0		
2.8	1900	484	36300	2.2		
1.3	3030	1032	18700	0.85		
1.5	2780	930	25900	0.90		
1.7	2510	831	2750	1.00	S 87R57	4
1.9	2190	719	28100	1.15	SF 87R57	4
2.2	1920	624	28600	1.30	SA 87R57	4
2.5	1730	558	28900	1.45	SAF 87R57	4
3.2	1390	435	29300	1.75		
4.3	1060	323	29600	2.3		
4.2	1240	327	12000	1.00	S 77R37	4
4.8	1110	289	13100	1.10	SF 77R37	4
5.5	960	250	14000	1.30	SA 77R37	4
6.3	850	219	14700	1.45	SAF 77R37	4
2.4	2040	286.40	36100	2.1	S 97	8
2.6	1890	262.22	36300	2.2	SF 97	8
3.0	1690	231.67	36400	2.5	SA 97	8
					SAF 97	8
3.1	1540	288.00	29100	1.60	S 87	6
3.5	1400	258.18	29300	1.75	SF 87	6
4.1	1220	222.40	29500	1.95	SA 87	6
4.4	1120	202.96	29600	2.1	SAF 87	6
4.8	1050	288.00	29600	2.2	S 87	4
5.3	950	258.18	29700	2.4	SF 87	4
6.2	830	222.40	29800	2.8	SA 87	4
6.8	765	202.96	29900	3.0	SAF 87	4
4.0	1160	225.26	12700	1.10	S 77	6
4.2	1110	214.00	13100	1.15	SF 77	6
4.8	990	189.09	13900	1.30	SA 77	6
5.6	860	161.60	14600	1.45	SAF 77	6

输出转速 Output speed n_a [r/min]	输出转矩 Output torque M_a [N·m]	传动比 Ratio i	径向负荷 Permitted overhung load F_{ra} [N]	使用系数 Service factor f_s	机型号 Model	电机极数 Pole P
0.75kW						
5.4	890	256.47	14500	1.45		
6.1	790	225.26	14900	1.60		
6.4	755	214.00	15100	1.70		
7.3	675	189.09	15400	1.90	S 77	4
8.5	585	161.60	15800	2.2	SF 77	4
9.3	545	148.15	15900	2.3	SA 77	4
11	480	130.00	16000	2.5	SAF 77	4
11	460	123.20	16000	2.6		
13	405	107.83	16000	2.9		
7.3	625	190.11	7570	0.85		
7.6	595	180.60	7900	0.85		
8.7	530	158.45	8570	1.00		
10	460	134.40	9480	1.15		
11	420	121.33	9470	1.25		
13	375	106.75	9750	1.40	S 67	4
14	355	100.80	9860	1.45	SF 67	4
16	305	85.83	10100	1.70	SA 67	4
18	310	75.06	10100	1.55	SAF 67	4
21	275	65.63	10200	1.75		
22	260	62.35	10300	1.85		
25	230	54.70	10300	2.1		
30	198	46.40	9840	2.4		
13	365	71.75	6430	0.80	S 57	6
13	345	67.20	6660	0.85	SF 57	6
16	295	56.64	7140	1.00	SA 57	6
19	295	47.32	7150	0.90	SAF 57	6
20	275	44.22	7300	1.00		
12	365	110.73	6400	0.80		
15	315	94.08	6930	0.95		
16	285	84.00	7210	1.05		
19	250	71.75	7500	1.15		
21	235	67.20	7590	1.20		
25	225	54.59	7650	1.10		
29	197	47.32	7810	1.25		
31	185	44.22	7870	1.35	S 57	4
36	161	38.23	7980	1.50	SF 57	4
42	138	32.48	7670	1.80	SA 57	4
48	124	29.00	7450	2.0	SAF 57	4
56	107	24.77	7150	2.3		
59	100	23.20	7030	2.5		
68	93	20.33	6490	1.80		
78	81	17.62	6260	2.1		
84	76	16.47	6160	2.2		
97	66	14.24	5930	2.6		
29	194	47.32	4530	0.80	S 47	4
31	182	44.22	4500	0.85	SF 47	4
36	159	38.23	4420	1.00	SA 47	4
42	136	32.48	4310	1.15	SAF 47	4
48	122	29.00	4230	1.25		
56	106	24.77	4110	1.45		
59	99	23.20	4060	1.55		
68	93	20.33	3610	1.20		
78	81	17.62	3530	1.35		
84	76	16.47	3490	1.45	S 47	4
97	66	14.24	3410	1.65	SF 47	4
114	56	12.10	3300	1.95	SA 47	4
128	50	10.80	3230	2.2	SAF 47	4
150	43	9.23	3120	2.5		
160	41	8.64	3070	2.7		
190	34	7.28	2950	3.0		
72	81	19.13	2270	0.85		
111	57	12.48	1930	0.85	S 37	4
127	50	10.91	1920	0.95	SF 37	4
135	47	10.23	1910	1.00	SA 37	4
153	42	9.02	1890	1.10	SAF 37	4
173	37	8.00	1860	1.20		
203	32	6.80	1820	1.35		

S系列斜齿轮-蜗轮蜗杆减速机/S helical-worm geared motors

输出 转速 Output speed n_a [r/min]	输出 转矩 Output torque M_a [N·m]	传动 比 Ratio i	径向 负荷 Permitted overhung load F_{Ra} [N]	使用 系数 Service factor f_b	机型号 Model	电机 极数 Pole P
0.75kW						
141	43	19.13	2090	1.05		
174	37	15.53	1860	1.15		
202	32	13.39	1820	1.30		
216	30	12.48	1800	1.35	S 37	2
248	26	10.91	1760	1.50	SF 37	2
264	25	10.23	1740	1.55	SA 37	2
299	22	9.02	1690	1.65	SAF 37	2
338	19	8.00	1650	1.80		
397	17	6.80	1590	1.75		
1.1kW						
1.7	4720	824	23300	0.90		
2.0	3370	714	34400	1.25	S 97 R57	4
2.2	3590	626	34000	1.15	SF 97 R57	4
2.6	3090	538	34800	1.35	SA 97 R57	4
2.9	2790	484	35200	1.50	SAF 97 R57	4
3.3	2430	420	35700	1.75		
2.2	2820	624	25400	0.90		
2.5	2550	558	27400	1.00		
2.9	2240	485	28000	1.10		
3.2	2040	435	28400	1.20	S 87 R57	4
3.7	1790	378	28800	1.35	SF 87 R57	4
4.3	1560	323	29100	1.55	SA 87 R57	4
5.0	1370	281	29300	1.75	SAF 87 R57	4
5.5	1460	255	29200	1.35		
6.3	1280	222	29400	1.55		
6.8	1200	205	29500	1.65		
6.4	1240	219	12000	1.00	S 77 R37	4
					SF 77 R37	4
					SA 77 R37	4
					SAF 77 R37	4
2.4	3030	286.40	34900	1.40	S 97	8
2.6	2800	262.22	35200	1.50	SF 97	8
2.9	2500	231.67	35600	1.70	SA 97	8
3.5	2160	196.52	36000	1.95	SAF 97	8
3.2	2310	286.40	35900	1.80	S 97	6
3.5	2130	262.22	36000	1.95	SF 97	6
4.0	1900	231.67	36300	2.2	SA 97	6
					SAF 97	6
3.2	2220	288.00	28100	1.10	S 87	6
3.6	2010	258.18	28400	1.20	SF 87	6
4.1	1760	222.40	28800	1.35	SA 87	6
4.5	1620	202.96	29000	1.45	SAF 87	6
4.9	1520	288.00	29100	1.50		
5.4	1370	258.18	29300	1.65	S 87	4
6.3	1200	222.40	29500	1.90	SF 87	4
6.9	1100	202.96	29600	2.0	SA 87	4
7.8	990	180.00	29700	2.2	SAF 87	4
9.2	840	151.30	29800	2.5		
6.2	1150	225.26	12800	1.10		
6.5	1100	214.00	13200	1.15		
7.4	980	189.09	13900	1.30		
8.7	850	161.60	14700	1.50	S 77	4
9.4	785	148.15	15000	1.60	SF 77	4
11	695	130.00	15400	1.75	SA 77	4
11	665	123.20	15500	1.80	SAF 77	4
13	585	107.83	15800	2.0		
14	535	97.14	15900	2.1		
16	470	85.22	16000	2.3		

输出 转速 Output speed n_a [r/min]	输出 转矩 Output torque M_a [N·m]	传动 比 Ratio i	径向 负荷 Permitted overhung load F_{Ra} [N]	使用 系数 Service factor f_b	机型号 Model	电机 极数 Pole P
1.1kW						
12	605	121.33	7790	0.85		
13	540	106.75	8490	0.95		
14	515	100.80	8740	1.00		
16	445	85.83	9300	1.15		
18	405	78.00	9550	1.30		
21	400	65.63	9610	1.20	S 67	4
22	380	62.35	9720	1.25	SF 67	4
26	335	54.70	9560	1.45	SA 67	4
30	285	46.40	9240	1.65	SAF 67	4
33	260	41.89	9040	1.85		
38	230	36.85	8780	2.1		
40	220	34.80	8660	2.2		
47	187	29.63	8330	2.6		
20	360	71.75	6480	0.80	S 57	4
21	340	67.20	6710	0.85	SF 57	4
25	290	56.61	7180	0.90	SA 57	4
30	285	47.32	7220	0.85	SAF 57	4
32	265	44.22	7360	0.90		
37	235	38.23	7410	1.05		
43	200	32.48	7170	1.25		
48	179	29.00	7000	1.35		
57	154	24.77	6760	1.60	S 57	4
60	145	23.20	6660	1.70	SF 57	4
72	123	19.54	6390	1.75	SA 57	4
79	117	17.62	5870	1.45	SAF 57	4
85	110	16.47	5780	1.55		
98	95	14.24	5610	1.75		
116	82	12.10	5400	2.1		
130	73	10.80	5260	2.3		
152	63	9.23	5050	2.7		
48	177	29.00	3720	0.90		
57	153	24.77	3670	1.00	S 47	4
60	143	23.20	3640	1.05	SF 47	4
72	122	19.54	3560	1.20	SA 47	4
79	117	17.62	3070	0.95	SAF 47	4
85	109	16.47	3060	1.00		
98	95	14.24	3030	1.15		
116	81	12.10	2980	1.35	S 47	4
130	73	10.80	2940	1.50	SF 47	4
152	63	9.23	2870	1.75	SA 47	4
162	59	8.64	2840	1.85	SAF 47	4
192	50	7.28	2750	2.1		
175	54	8.00	1570	0.85	S 37	4
206	46	6.80	1580	0.95	SF 37	4
					SA 37	4
					SAF 37	4
202	47	13.39	1590	0.85		
216	44	12.48	1580	0.90		
248	39	10.91	1570	1.00	S 37	2
264	36	10.23	1560	1.05	SF 37	2
299	32	9.02	1540	1.10	SA 37	2
338	28	8.00	1510	1.25	SAF 37	2
397	24	6.80	1470	1.20		
1.5kW						
2.0	4590	714	29100	0.90		
2.2	4890	626	19100	0.85		
2.6	4220	538	31100	1.00	S 97 R57	4
2.9	3810	484	33600	1.10	SF 97 R57	4
3.4	3310	420	34500	1.25	SA 97 R57	4
3.8	2990	376	35000	1.40	SAF 97 R57	4
4.3	2630	327	35500	1.60		
2.9	3060	485	17200	0.80		
3.2	2780	435	25900	0.90		
3.7	2450	378	27600	1.00	S 87 R57	4
4.4	2130	323	28200	1.15	SF 87 R57	4
5.0	1870	281	28600	1.30	SA 87 R57	4
5.5	2000	255	28400	1.00	SAF 87 R57	4
6.3	1750	222	28800	1.15		
6.9	1630	205	29000	1.20		



S系列斜齿轮-蜗轮蜗杆减速机/S helical- worm geared motors



输出 转速	输出 转矩	传动 比	径向 负荷	使用 系数	机型号	电机 极数
Output speed n_a [r/min]	Output torque M_a [N·m]	Ratio i	Permitted overhung load F_{ra} [N]	Service factor f_b	Model	Pole P
1.5kW						
2.4	4030	286.40	33100	1.05	S 97	8
2.7	3720	262.22	33700	1.15	SF 97	8
3.0	3330	231.67	34400	1.25	SA 97	8
3.6	2870	196.52	35200	1.45	SAF 97	8
3.2	3150	286.40	34700	1.35	S 97	6
3.5	2910	262.22	35100	1.45	SF 97	6
4.0	2600	231.67	35500	1.60	SA 97	6
4.7	2230	196.52	35900	1.90	SAF 97	6
4.9	2130	286.40	36000	1.90	S 97	4
5.4	1970	262.22	36200	2.0	SF 97	4
6.1	1760	231.67	36400	2.3	SA 97	4
7.2	1510	196.52	36600	2.7	SAF 97	4
3.6	2740	258.18	26600	0.90	S 87	6
4.1	2390	222.40	27700	1.00	SF 87	6
4.5	2200	202.96	28100	1.10	SA 87	6
5.1	1980	180.00	28500	1.20	SAF 87	6
4.9	2060	288.00	28300	1.10		
5.5	1860	258.18	28700	1.20		
6.3	1630	222.40	29000	1.40		
6.9	1500	202.96	29200	1.50	S 87	4
7.8	1340	180.00	29400	1.65	SF 87	4
9.3	1140	151.30	29600	1.90	SA 87	4
10	1060	139.05	29600	2.0	SAF 87	4
11	950	123.48	29700	2.2		
13	850	110.40	29800	2.3		
14	770	99.26	29900	2.5		
7.5	1330	189.09	10600	0.95		
8.7	1150	161.60	12700	1.10		
9.5	1060	148.15	13400	1.15		
11	940	130.00	14100	1.30		
11	900	123.20	14400	1.35		
13	795	107.83	14900	1.45		
15	725	97.14	15300	1.60	S 77	4
17	640	85.22	15400	1.70	SF 77	4
19	650	75.09	14100	1.70	SA 77	4
20	620	71.33	14000	1.80	SAF 77	4
21	510	66.67	14600	2.0		
22	550	63.03	13700	2.0		
25	440	56.92	14000	2.3		
26	470	53.87	13200	2.3		
29	435	49.38	13000	2.5		
33	385	43.33	12600	2.9		
16	600	85.83	7850	0.85	S 67	4
18	550	78.00	8390	0.95	SF 67	4
21	540	65.63	8510	0.90	SA 67	4
21	540	65.63	8510	0.90	SAF 67	4
23	515	62.35	8740	0.95		
26	455	54.70	8810	1.05		
30	390	46.40	8590	1.25		
34	355	41.89	8450	1.35		
38	310	36.85	8250	1.55		
41	295	34.80	8160	1.60	S 67	4
48	255	29.63	7900	1.90	SF 67	4
52	230	26.93	7740	2.1	SA 67	4
58	220	24.44	7000	1.55	SAF 67	4
61	210	23.22	6950	1.60		
69	186	20.37	6790	1.85		
82	159	17.28	6580	2.1		
90	144	15.60	6440	2.4		
103	127	13.73	6260	2.7		

输出 转速	输出 转矩	传动 比	径向 负荷	使用 系数	机型号	电机 极数
Output speed n_a [r/min]	Output torque M_a [N·m]	Ratio i	Permitted overhung load F_{ra} [N]	Service factor f_b	Model	Pole P
1.5kW						
43	270	32.48	6630	0.90		
49	245	29.00	6520	1.00		
57	210	24.77	6340	1.15		
61	196	23.20	6270	1.25	S 57	4
72	167	19.54	6060	1.30	SF 57	4
80	159	17.62	5430	1.05	SA 57	4
86	159	16.47	5380	1.15	SAF 57	4
99	129	14.24	5250	1.30		
117	110	12.10	5100	1.55		
131	99	10.80	4980	1.70		
153	85	9.23	4820	2.0		
99	129	14.24	2610	0.85	S 47	4
117	110	12.10	2620	1.00	SF 47	4
131	99	10.80	2620	1.10	SA 47	4
131	99	10.80	2620	1.10	SAF 47	4
153	85	9.23	2590	1.30	S 47	4
163	79	8.64	2580	1.35	SF 47	4
194	67	7.28	2530	1.55	SA 47	4
194	67	7.28	2530	1.55	SAF 47	4
299	44	9.02	1330	0.85	S 37	4
338	39	8.00	1350	0.90	SF 37	4
397	33	6.80	1340	0.90	SA 37	4
397	33	6.80	1340	0.90	SAF 37	4
2.2kW						
3.4	4900	420	18800	0.85		
3.8	4410	376	28300	0.95	S 97 R57	4
4.3	3870	327	33500	1.10	SF 97 R57	4
4.9	3420	287	34300	1.25	SA 97 R57	4
5.6	3000	252	35000	1.40	SAF 97 R57	4
3.3	4530	286.40	30200	0.95	S 97	6
3.6	4180	262.22	32800	1.00	SF 97	6
4.1	3730	231.67	33700	1.15	SA 97	6
4.8	3210	196.52	34600	1.30	SAF 97	6
4.9	3130	286.40	34800	1.30		
5.4	2890	262.22	35100	1.40		
6.1	2570	231.67	35500	1.55		
7.2	2210	196.52	36000	1.80		
7.8	2050	180.95	36100	1.90	S 97	4
8.7	1840	161.74	36300	2.1	SF 97	4
9.7	1670	145.60	36500	2.2	SA 97	4
11	1520	131.85	36600	2.4	SAF 97	4
12	1360	116.92	36700	2.6		
13	1240	105.71	36800	2.8		
16	1060	89.60	36900	3.1		
5.5	2730	258.18	26800	0.85		
6.3	2380	222.40	27700	0.95		
6.9	2190	202.96	28100	1.05		
7.8	1970	180.00	28500	1.10		
9.3	1680	151.30	28900	1.30		
10	1550	139.05	29100	1.35		
11	1390	123.48	29300	1.50	S 87	4
13	1250	110.40	29500	1.60	SF 87	4
14	1130	99.26	29600	1.75	SA 87	4
16	990	86.15	29700	1.90	SAF 87	4
17	1060	81.76	29600	1.50		
18	890	77.14	29800	2.0		
20	920	70.43	29700	1.75		
22	840	64.27	29800	1.90		
25	750	57.00	29900	2.1		

S系列斜齿轮-蜗轮蜗杆减速机/S helical-worm geared motors

输出转速 Output speed n_a [r/min]	输出转矩 Output torque M_a [N·m]	传动比 Ratio i	径向负荷 Permitted overhung load F_{Ra} [N]	使用系数 Service factor f_s	机型号 Model	电机极数 Pole P
2.2kW						
11	1390	130.00	6140	0.85		
11	1320	123.20	11100	0.90		
13	1170	107.83	12600	1.00		
15	1060	97.14	13400	1.10		
17	940	85.22	14100	1.15		
19	840	75.20	13800	1.30		
21	745	66.67	13500	1.40		
22	810	63.03	12400	1.35		
25	645	56.92	13100	1.55	S 77	4
26	695	53.87	12100	1.60	SF 77	4
29	635	49.38	11900	1.75	SA 77	4
33	560	43.33	11700	1.95	SAF 77	4
34	535	41.07	11600	2.1		
39	470	35.94	11300	2.3		
44	425	32.38	11000	2.6		
50	375	28.41	10700	2.8		
56	330	25.07	10400	3.1		
62	310	22.89	9490	2.3		
67	285	20.99	9340	2.5		
30	570	46.40	7480	0.85		
34	515	41.89	7440	0.95		
38	460	36.85	7360	1.05		
41	435	34.80	7320	1.10		
48	370	29.63	7180	1.30		
52	340	26.93	7080	1.40	S 67	4
60	295	23.33	6920	1.60	SF 67	4
69	275	20.37	6060	1.25	SA 67	4
82	235	17.28	5960	1.45	SAF 67	4
90	210	15.60	5880	1.60		
103	186	13.73	5770	1.85		
109	176	12.96	5710	1.95		
128	151	11.03	5550	2.3		
141	137	10.03	5450	2.5		
162	119	8.69	5300	2.8		
99	190	14.24	4640	0.90	S 57	4
117	162	12.10	4580	1.05	SF 57	4
131	145	10.80	4520	1.15	SA 57	4
153	124	9.23	4420	1.35	SAF 57	4
163	117	8.64	4380	1.40		
194	99	7.28	4250	1.50		
3.0kW						
4.9	4710	287	23700	0.90	S 97R57	4
5.6	4140	252	32400	1.00	SF 97R57	4
6.4	3620	219	33900	1.15	SA 97R57	4
6.8	3400	205	34300	1.25	SAF 97R57	4
4.9	4290	286.40	32600	0.95		
5.3	3960	262.22	33300	1.00		
6.0	3530	231.67	34100	1.15		
7.1	3040	196.52	34900	1.30		
7.7	2810	180.95	35200	1.40	S 97	4
8.7	2530	161.74	35600	1.50	SF 97	4
9.6	2300	145.60	35900	1.65	SA 97	4
11	2090	131.85	36100	1.75	SAF 97	4
12	1870	116.92	36300	1.90		
13	1700	105.71	36400	2.0		
16	1450	89.60	36600	2.2		
17	1470	80.85	36600	2.2		

输出转速 Output speed n_a [r/min]	输出转矩 Output torque M_a [N·m]	传动比 Ratio i	径向负荷 Permitted overhung load F_{Ra} [N]	使用系数 Service factor f_s	机型号 Model	电机极数 Pole P
3.0kW						
7.8	2700	180.00	27100	0.80		
9.2	2300	151.30	27900	0.95		
10	2130	139.05	28200	1.00		
11	1900	123.48	28600	1.10		
13	1720	110.40	28900	1.15		
14	1550	99.26	29100	1.25		
16	1360	86.15	29300	1.40		
17	1460	81.76	29200	1.10	S 87	4
18	1230	77.14	29500	1.50	SF 87	4
20	1260	70.43	29400	1.25	SA 87	4
22	1160	64.27	29500	1.40	SAF 87	4
25	1030	57.00	29700	1.55		
29	870	47.91	29800	1.85		
32	800	44.03	29800	2.0		
36	715	39.10	29900	2.2		
40	640	34.96	29900	2.5		
16	1290	85.22	11500	0.85	S 77	4
19	1150	75.20	12500	0.95	SF 77	4
21	1020	66.67	12400	1.00	SA 77	4
22	1110	63.03	10900	1.00	SAF 77	4
25	880	56.92	12100	1.10		
26	950	53.87	10800	1.15		
28	880	49.38	10800	1.25		
32	770	43.33	10700	1.40		
34	735	41.07	10600	1.50		
39	645	35.94	10400	1.70		
43	585	32.38	10300	1.85	S 77	4
49	515	28.41	10100	2.0	SF 77	4
56	455	25.07	9840	2.2	SA 77	4
61	430	22.89	8680	1.65	SAF 77	4
67	395	20.99	8590	1.80		
76	345	18.42	8450	2.0		
80	330	17.45	8390	2.2		
92	290	15.28	8210	2.5		
102	260	13.76	8060	2.7		
116	230	12.07	7870	3.1		
131	205	10.65	7670	3.5		
40	595	34.80	6350	0.80	S 67	4
47	510	29.63	6350	0.95	SF 67	4
52	465	26.93	6330	1.05	SA 67	4
60	405	23.33	6270	1.20	SAF 67	4
69	375	20.37	5230	0.90		
81	320	17.28	5250	1.05	S 67	4
90	290	15.60	5240	1.15	SF 67	4
102	255	13.73	5210	1.35	SA 67	4
108	240	12.96	5190	1.40	SAF 67	4
127	205	11.03	5100	1.65		
140	188	10.03	5050	1.80		
161	164	8.69	4940	2.0		
185	143	7.56	4830	2.1		
130	199	10.80	3990	0.85	S 57	4
152	171	9.23	3970	1.00	SF 57	4
162	160	8.64	3960	1.05	SA 57	4
192	136	7.28	3900	1.10	SAF 57	4
4.0kW						
6.5	4780	219	22700	0.90	S 97R57	4
6.9	4490	205	27300	0.95	SF 97R57	4
					SA 97R57	4
					SAF 97R57	4



S系列斜齿轮-蜗轮蜗杆减速机/S helical-worm geared motors

输出转速 Output speed n_a [r/min]	输出转矩 Output torque M_a [N·m]	传动比 Ratio i	径向 负荷 Permitted overhung load F_{Ra} [N]	使用 系数 Service factor f_s	机型号 Model	电机 极数 Pole P				
4.0kW										
6.1	4650	231.67	28300	0.85	S	97	4			
7.2	3990	196.52	33200	1.00		SF	97	4		
7.8	3700	180.95	33800	1.05		SA	97	4		
8.8	3330	161.74	3440	1.15		SAF	97	4		
9.8	3020	145.60	34900	1.25		S	87	4		
11	2750	131.85	35300	1.35						
12	2460	116.92	35700	1.45						
13	2230	105.71	35900	1.55						
16	1910	89.60	36300	1.70						
18	1940	80.85	36200	1.65						
20	1720	71.43	36400	1.90						
23	1470	60.59	36600	2.2						
25	1350	55.79	36700	2.4						
12	2510	123.48	27500	0.80						
13	2260	110.40	28000	0.90						
14	2040	99.26	28400	0.95						
16	1790	86.15	28800	1.05						
18	1610	77.14	29000	1.15						
20	1660	70.43	28900	0.95						
22	1520	64.27	29100	1.05						
25	1350	57.00	29300	1.20						
30	1150	47.91	29500	1.40						
32	1060	44.03	29600	1.50						
36	940	39.10	29700	1.70						
41	840	34.96	29800	1.90						
45	760	31.43	29100	2.1						
52	665	27.28	28200	2.4						
56	635	25.50	26600	1.95						
25	1160	56.92	10800	0.85	S	77	4			
26	1250	53.87	9250	0.90	SF	77	4			
29	1150	49.38	9320	0.95	SA	77	4			
33	1020	43.33	9370	1.10	SAF	77	4			
35	960	41.07	9370	1.15	S	77	4			
40	850	35.94	9340	1.30						
44	765	32.38	9290	1.40						
50	675	28.41	9190	1.55						
57	600	25.07	9070	1.70						
62	565	22.89	7650	1.25						
68	520	20.99	7650	1.35						
77	455	18.42	7620	1.55						
81	435	17.45	7590	1.65						
93	380	15.28	7510	1.85						
103	345	13.76	7430	2.1						
118	300	12.07	7310	2.4						
133	265	10.65	7170	2.7						
150	235	9.44	7030	3.1						
176	205	8.06	6830	3.3						
82	420	17.28	3810	0.80				S	67	4
91	380	15.60	4180	0.90				SF	67	4
103	335	13.73	4500	1.00				SA	67	4
110	320	12.96	4520	1.05	SAF	67	4			
129	270	11.03	4530	1.25	S	87	4			
142	245	10.03	4520	1.35						
163	215	8.69	4490	1.55						
188	188	7.56	4430	1.55						
5.5kW										
8.8	4550	161.74	29900	0.85				S	97	4
9.8	4130	145.60	32900	0.90						
11	3760	131.85	33700	0.95						
12	3360	116.92	34400	1.05						
14	3050	105.71	34900	1.15						
16	2610	89.60	35500	1.25						
18	2290	78.26	35900	1.35						
20	2350	71.43	35800	1.40						
22	1930	65.45	36200	1.50						
24	2000	60.59	36200	1.65						
26	1850	55.79	36300	1.80						
29	1660	49.87	36500	2.0						
32	1500	44.89	36600	2.2						
35	1360	40.65	36700	2.4						



输出转速 Output speed n_a [r/min]	输出转矩 Output torque M_a [N·m]	传动比 Ratio i	径向 负荷 Permitted overhung load F_{Ra} [N]	使用 系数 Service factor f_s	机型号 Model	电机 极数 Pole P				
5.5kW										
19	2200	77.14	28100	0.85	S	87	4			
22	1850	64.00	28700	0.90	SF	87	4			
25	1850	57.00	28700	0.85	SA	87	4			
30	1560	47.91	29100	1.00	SAF	87	4			
32	1440	44.03	29200	1.10	S	87	4			
37	1280	39.10	29200	1.25						
41	1150	34.96	28600	1.40						
45	1040	31.43	28000	1.55						
52	910	27.28	27200	1.75						
56	870	25.50	25200	1.45						
67	730	21.43	24500	1.70						
73	675	19.70	24100	1.85						
82	600	17.49	23500	2.1						
91	535	15.64	23000	2.3						
102	485	14.06	22500	2.6						
117	420	12.21	21800	3.0						
131	375	10.93	21200	3.3						
35	1320	41.07	7560	0.85	S	77	4			
40	1160	35.94	7750	0.95	SF	77	4			
44	1050	32.38	7850	1.05	SA	77	4			
50	920	28.41	7920	1.15	SAF	77	4			
57	820	25.07	7940	1.25	S	77	4			
64	725	22.22	7920	1.35						
78	625	18.42	5920	1.15						
82	590	17.45	6170	1.20						
94	520	15.28	6490	1.35						
104	470	13.76	6510	1.50						
118	410	12.07	6500	1.75						
134	365	10.65	6450	2.0						
151	325	9.44	6390	2.2						
177	275	8.06	6280	2.5						
130	370	11.03	2930	0.90				S	67	4
143	340	10.03	3260	1.00				SF	67	4
165	295	8.69	3670	1.15	SA	67	4			
189	255	7.56	3850	1.15	SAF	67	4			
7.5kW										
14	4160	105.71	32900	0.85	S	97	4			
16	3560	89.60	34100	0.90						
18	3130	78.26	34800	1.00						
20	3200	71.43	34600	1.05						
22	2630	65.45	35500	1.10						
24	2730	60.59	35300	1.20						
26	2520	55.79	35600	1.30						
29	2260	49.87	35900	1.45						
32	2040	44.89	36100	1.60						
35	1850	40.65	36300	1.80						
40	1650	36.05	36200	2.0						
44	1490	32.60	35500	2.2						
54	1240	26.39	32000	2.1						
61	1110	23.59	31400	2.3						
67	1000	21.23	30700	2.6						
74	910	19.23	30100	2.9						
32	1970	44.03	27800	0.80				S	87	4
37	1750	39.10	27400	0.90				SF	87	4
41	1570	34.96	27000	1.00	SA	87	4			
45	1420	31.43	26500	1.15	SAF	87	4			
52	1230	27.28	25900	1.30	S	87	4			
56	1180	25.50	23500	1.05						
67	1000	21.43	23000	1.25						
73	920	19.70	22700	1.35						
82	820	17.49	22300	1.50						
91	730	15.64	21900	1.70						
102	660	14.06	21500	1.90						
117	575	12.21	20900	2.2						
131	515	10.93	20500	2.4						
158	430	9.07	19700	2.7						
181	375	7.88	19100	2.7						

S系列斜齿轮-蜗轮蜗杆减速机/S helical-worm geared motors

输出转速 Output speed n_a [r/min]	输出转矩 Output torque M_a [N·m]	传动比 Ratio i	径向负荷 Permitted overhung load F_{ra} [N]	使用系数 Service factor f_b	机型号 Model	电机极数 Pole P		
7.5KW								
50	1260	28.41	6240	0.85	S 77	4		
57	1110	25.07	6450	0.90	SF 77	4		
64	990	22.22	6600	1.00	SA 77	4		
78	850	18.42	1860	0.85	SAF 77	4		
82	810	17.45	2290	0.90	S 77	4		
94	705	15.28	3250	1.00				
104	640	13.76	3890	1.10				
118	560	12.07	4570	1.30				
134	495	10.65	5110	1.45				
151	440	9.44	5540	1.65				
177	380	8.06	5580	1.80				
9.2KW								
18	3810	78.26	33600	0.80	S 97	4		
22	3210	65.45	34600	0.90	SF 97	4		
26	3070	55.79	34800	1.05	SA 97	4		
29	2750	49.87	35300	1.20	S 97	4		
32	2480	44.89	35600	1.35				
35	2260	40.65	35700	1.45				
40	2010	36.05	35000	1.65				
44	1820	32.60	34400	1.75				
55	1510	26.39	30700	1.70				
61	1350	23.59	30200	1.9				
68	1220	21.23	29700	2.1				
75	1110	19.23	29200	2.3				
84	980	17.05	28500	2.6				
93	890	15.42	28000	2.8				
110	755	13.07	27000	3.1				
126	660	11.41	26200	3.3				
41	1910	34.96	25600	0.85			S 87	4
46	1730	31.43	25300	0.95	SF 87	4		
53	1500	27.28	24800	1.05	SA 87	4		
59	1350	24.43	24400	1.20	SAF 87	4		
71	1120	20.27	23700	1.40	S 87	4		
73	1120	19.70	21600	1.10				
82	1000	17.49	21300	1.25				
92	890	15.64	21000	1.40				
102	800	14.06	20700	1.55				
118	700	12.21	20200	1.75				
132	625	10.93	19800	2.0				
159	520	9.07	19100	2.2				
183	455	7.88	18600	2.2				
76	1040	18.97	5760	0.90			S 77	4
105	780	13.76	1350	0.90				
119	685	12.07	2290	1.05				
135	605	10.65	3060	1.20				
152	535	9.44	3690	1.35				
179	460	8.06	4360	1.50				
11.0KW								
26	3670	55.79	33800	0.90	S 97	4		
29	3290	49.87	34500	1.00				
32	2970	44.89	34800	1.10				
35	2700	40.65	34400	1.20				
40	2400	36.05	33800	1.40				
44	2170	32.60	33300	1.45				
55	1810	26.39	29400	1.45				
61	1620	23.59	29000	1.60				
68	1460	21.23	28600	1.80				
75	1320	19.23	28200	1.95				
84	1180	17.05	27600	2.2				
93	1070	15.42	27200	2.3				
110	900	13.07	26400	2.6				
126	790	11.41	25700	2.8				
53	1800	27.28	23700	0.90			S 87	4
59	1610	24.43	23400	1.00			SF 87	4
71	1340	20.27	22800	1.20	SA 87	4		
					SAF 87	4		
11.0KW								
73	1340	19.70	20400	0.95	S 87	4		
82	1190	17.49	20200	1.05				
92	1070	15.64	20000	1.15				
102	960	14.06	19800	1.30				
118	840	12.21	19400	1.50				
132	750	10.93	19100	1.65				
159	625	9.07	18600	1.85				
183	545	7.88	18100	1.85				
15.0KW								
33	4000	44.89	31400	0.85			S 97	4
36	3630	40.65	31300	0.90	SF 97	4		
41	3230	36.05	31000	1.00	SA 97	4		
45	2920	32.60	30800	1.10	S 97	4		
55	2430	26.39	26400	1.05				
62	2180	23.59	26300	1.20				
69	1970	21.23	26200	1.30				
76	1780	19.23	26000	1.45				
86	1580	17.05	25700	1.60				
95	1430	15.42	25400	1.70				
112	1220	13.07	24800	1.90				
128	1060	11.41	24300	2.1				
153	890	9.55	23600	2.3				
177	775	8.26	22900	2.3				
93	1430	15.64	17900	0.85			S 87	4
104	1290	14.06	17900	0.95			SF 87	4
120	1120	12.21	17800	1.10			SA 87	4
134	1010	10.93	17600	1.25			S 87	4
161	840	9.07	17300	1.35			SF 87	4
185	730	7.88	17000	1.40			SA 87	4
							SAF 87	4
18.5KW								
41	3970	36.05	28700	0.85			S 97	4
45	3590	32.60	28600	0.90				
53	3060	27.63	28400	1.00				
61	2680	24.13	28100	1.05				
69	2420	21.23	24100	1.10				
76	2190	19.23	24100	1.20				
86	1950	17.05	24000	1.30				
95	1760	15.42	23900	1.40				
112	1500	13.07	23500	1.55				
128	1310	11.41	23200	1.70				
153	1100	9.55	22600	1.85				
177	950	8.26	22100	1.85				
22KW								
53	3630	27.63	26600	0.85	S 97	4		
61	3180	24.13	26500	0.90				
69	2870	21.23	19800	0.90				
76	2600	19.23	21800	1.00				
86	2310	17.05	22300	1.10				
95	2090	15.42	22400	1.20				
112	1780	13.07	22300	1.30				
128	1560	11.41	22100	1.40				
153	1300	9.55	21700	1.55				
177	1130	8.26	21300	1.55	SAF 97	4		



S系列斜齿轮-蜗轮蜗杆减速机/S helical- worm geared motors

S37/47/57R17 $n_a=1400$ r/min

S37R17		90Nm	
i	n_a [r/min]	M_{amax} [Nm]	F_{Re} [N]
10037	0.14	92	3000
8654	0.16	92	3000
8066	0.17	92	3000
7051	0.20	92	3000
6079	0.23	92	3000
5431	0.26	92	3000
4747	0.29	92	3000
4155	0.34	92	3000
3632	0.39	92	3000
2866	0.49	92	3000
2471	0.57	92	3000
2160	0.65	92	3000
1887	0.74	92	3000
1665	0.84	92	3000
1456	0.96	92	3000
1271	1.1	92	3000
1121	1.2	92	3000
994	1.4	92	3000
869	1.6	92	3000
774	1.8	92	3000
666	2.1	92	3000
596	2.3	92	3000
521	2.7	92	3000
456	3.1	92	3000
398	3.5	92	3000
351	4.0	92	3000
303	4.6	92	3000
265	5.3	92	3000
232	6.0	92	3000
202	6.9	92	3000
179	7.8	92	3000
158	8.9	92	3000
144	9.7	92	3000
118	12	92	3000
110	13	92	3000

S47R17		185Nm	
i	n_a [r/min]	M_{amax} [Nm]	F_{Re} [N]
12909	0.11	185	5250
11189	0.13	185	5250
10374	0.13	185	5250
8992	0.16	185	5250
7860	0.18	185	5250
6887	0.20	185	5250
6055	0.23	185	5250
5292	0.26	185	5250
4637	0.30	185	5250
4092	0.34	185	5250
3582	0.39	185	5200
3131	0.45	185	5200
2714	0.52	185	5200
2412	0.58	185	5200
2131	0.66	185	5200
1863	0.75	185	5200
1663	0.84	185	5200
1435	0.98	185	5200
1254	1.1	185	5200
1120	1.2	185	5200
1083	1.3	185	5200
965	1.5	185	5200
956	1.5	185	5210
865	1.6	185	5200
750	1.9	185	5200
655	2.1	185	5200
574	2.4	185	5200
506	2.8	185	5200
438	3.2	185	5200
388	3.6	185	5200
336	4.2	185	5200
294	4.8	185	5200
257	5.4	185	5260
229	6.1	185	5200
200	7.0	185	5200
187	7.5	185	5200
165	8.5	185	5200
147	9.5	185	5200
131	11	185	5200

S57R17		300Nm	
i	n_a [r/min]	M_{amax} [Nm]	F_{Ra} [N]
12909	0.11	330	6800
11189	0.13	330	6800
10374	0.13	330	6800
8992	0.16	330	6800
7860	0.18	330	6800
6887	0.20	330	6800
6055	0.23	330	6800
5292	0.26	330	6800
4637	0.30	330	6800
4092	0.34	330	6800
3628	0.39	330	6800
3131	0.45	300	7090
2714	0.52	300	7090
2412	0.58	300	7090
2131	0.66	300	7090
1863	0.75	300	7090
1663	0.84	300	7090
1435	0.98	300	7090
1254	1.1	300	7090
1083	1.3	300	7090
965	1.5	300	7090
865	1.6	300	7090
750	1.9	300	7090
655	2.1	300	7090
574	2.4	300	7090
506	2.8	300	7090
438	3.2	300	7090
388	3.6	300	7090
336	4.5	300	7090
294	4.8	300	7090
269	5.2	300	7090
229	6.1	300	7090
204	6.9	300	7090
187	7.5	300	7090
165	8.5	300	7090
131	11	300	7090



S系列斜齿轮-蜗轮蜗杆减速机/S helical- worm geared motors

S67/77R37, S87R57 $n_a=1400$ r/min

S67R37				S77R37				S87R57			
570Nm				1270Nm				2500Nm			
i	n_a [r/min]	M_{amax} [Nm]	F_{Ra} [N]	i	n_a [r/min]	M_{amax} [Nm]	F_{Ra} [N]	i	n_a [r/min]	M_{amax} [Nm]	F_{Ra} [N]
21362	0.07	570	8190	25493	0.05	1270	11700	25987	0.05	2500	27500
19594	0.07	570	8190	21787	0.06	1270	11700	23940	0.06	2500	27500
18120	0.08	570	8190	19907	0.07	1270	11700	20568	0.07	2500	27500
16682	0.08	570	8190	17013	0.08	1270	11700	18265	0.08	2500	27500
14383	0.10	570	8190	14668	0.10	1270	11700	16774	0.08	2500	27500
12774	0.11	570	8190	13110	0.11	1270	11700	14820	0.09	2500	27500
11013	0.13	570	8190	11569	0.12	1270	11700	13160	0.11	2500	27500
9694	0.14	570	8190	9887	0.14	1270	11700	11200	0.12	2500	27500
8529	0.16	570	8190	8817	0.16	1270	11700	9904	0.14	2500	27500
7455	0.19	570	8190	7735	0.18	1270	11700	8549	0.16	2500	27500
6531	0.21	570	8190	6735	0.21	1270	11700	7643	0.18	2500	27500
5759	0.24	570	8190	5943	0.24	1270	11700	6706	0.21	2500	27500
4965	0.28	570	8190	5214	0.27	1270	11700	5875	0.24	2500	27500
4410	0.32	570	8190	4618	0.30	1270	11700	5187	0.27	2500	27500
3880	0.36	570	8190	3992	0.35	1270	11700	4606	0.30	2500	27500
3432	0.41	570	8190	3540	0.40	1270	11700	3872	0.36	2500	27500
2944	0.48	570	8190	3098	0.45	1270	11700	3475	0.40	2500	27500
2630	0.53	570	8190	2753	0.51	1240	12000	2905	0.48	2500	27500
2279	0.61	570	8190	2374	0.59	1240	12000	2586	0.54	2500	27500
2014	0.70	570	8190	2083	0.67	1240	12000	2335	0.60	2500	27500
1772	0.79	570	8190	1813	0.77	1240	12000	2054	0.68	2500	27500
1559	0.90	570	8190	1745	0.80	1240	12000	1824	0.77	2500	27500
1363	1.0	570	8190	1600	0.88	1240	12000	1631	0.86	2500	27500
1194	1.2	570	8190	1404	1.0	1240	12000	1332	1.1	2500	27500
1045	1.3	570	8190	1245	1.1	1240	12000	1191	1.2	2500	27500
914	1.5	570	8190	1100	1.3	1240	12000	1032	1.4	2500	27500
809	1.7	570	8190	954	1.5	1240	12000	930	1.5	2500	27500
712	2.0	570	8190	837	1.7	1240	12000	831	1.7	2500	27500
615	2.3	570	8190	714	2.0	1240	12000	719	1.9	2500	27500
543	2.6	570	8190	637	2.2	1240	12000	624	2.2	2500	27500
469	3.0	570	8190	574	2.4	1240	12000	558	2.5	2500	27500
424	3.3	570	8190	499	2.8	1240	12000	485	2.9	2500	27500
365	3.8	570	8190	438	3.2	1240	12000	435	3.2	2450	27600
319	4.4	570	8190	389	3.6	1240	12000	378	3.7	2450	27600
281	5.0	570	8190	327	4.3	1240	12000	323	4.3	2400	27700
246	5.7	570	8190	289	4.8	1240	12000	281	5.0	2400	27700
221	6.3	570	8190	250	5.6	1240	12000	255	5.5	1980	28400
198	7.1	570	8190	219	6.4	1240	12000	222	6.3	1980	28400
168	8.3	570	8190					205	6.8	1980	28400
156	9.0	570	8190								



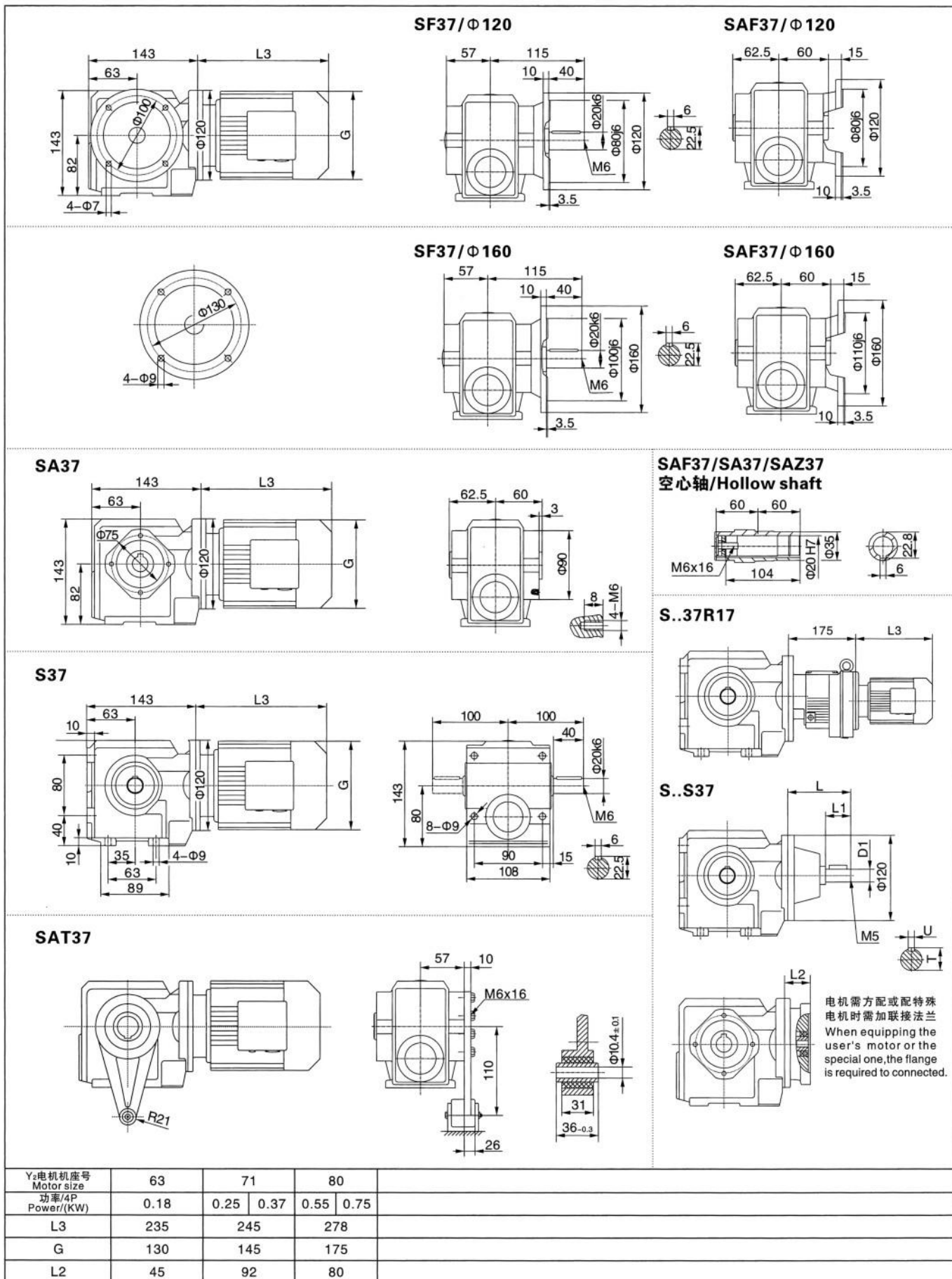
S系列斜齿轮-蜗轮蜗杆减速机/S helical- worm geared motors

S97R57 $n_s=1400$ r/min

S97R57		4200Nm	
i	n_a [r/min]	M_{amax} [Nm]	F_{Ra} [N]
33818	0.04	4200	34200
31154	0.04	4200	34200
27847	0.05	4200	34200
24641	0.06	4200	34200
21537	0.07	4200	34200
18749	0.07	4200	34200
16233	0.09	4200	34200
14576	0.10	4200	34200
12752	0.11	4200	34200
11267	0.12	4200	34200
10078	0.14	4200	34200
8608	0.16	4200	34200
7554	0.19	4200	34200
6640	0.21	4200	30600
5780	0.24	4200	30600
4937	0.28	4200	30600
4444	0.32	4200	30600
4017	0.35	4200	30600
3453	0.41	4200	30600
3108	0.45	4200	30600
2654	0.53	4200	30600
2329	0.60	4200	30600
2081	0.67	4200	30600
1860	0.75	4200	30600
1574	0.89	4200	30600
1394	1.0	4200	30600
1223	1.1	4200	30600
1070	1.3	4200	30600
928	1.5	4200	30600
824	1.7	4200	30600
714	2.0	4200	34400
626	2.2	4200	30600
536	2.6	4200	30600
464	2.9	4200	30700
420	3.3	4200	30700
376	3.7	4200	30800
327	4.3	4200	30800
287	4.9	4200	30900
252	5.6	4200	31000
219	6.4	4200	31000
205	6.8	4200	31000



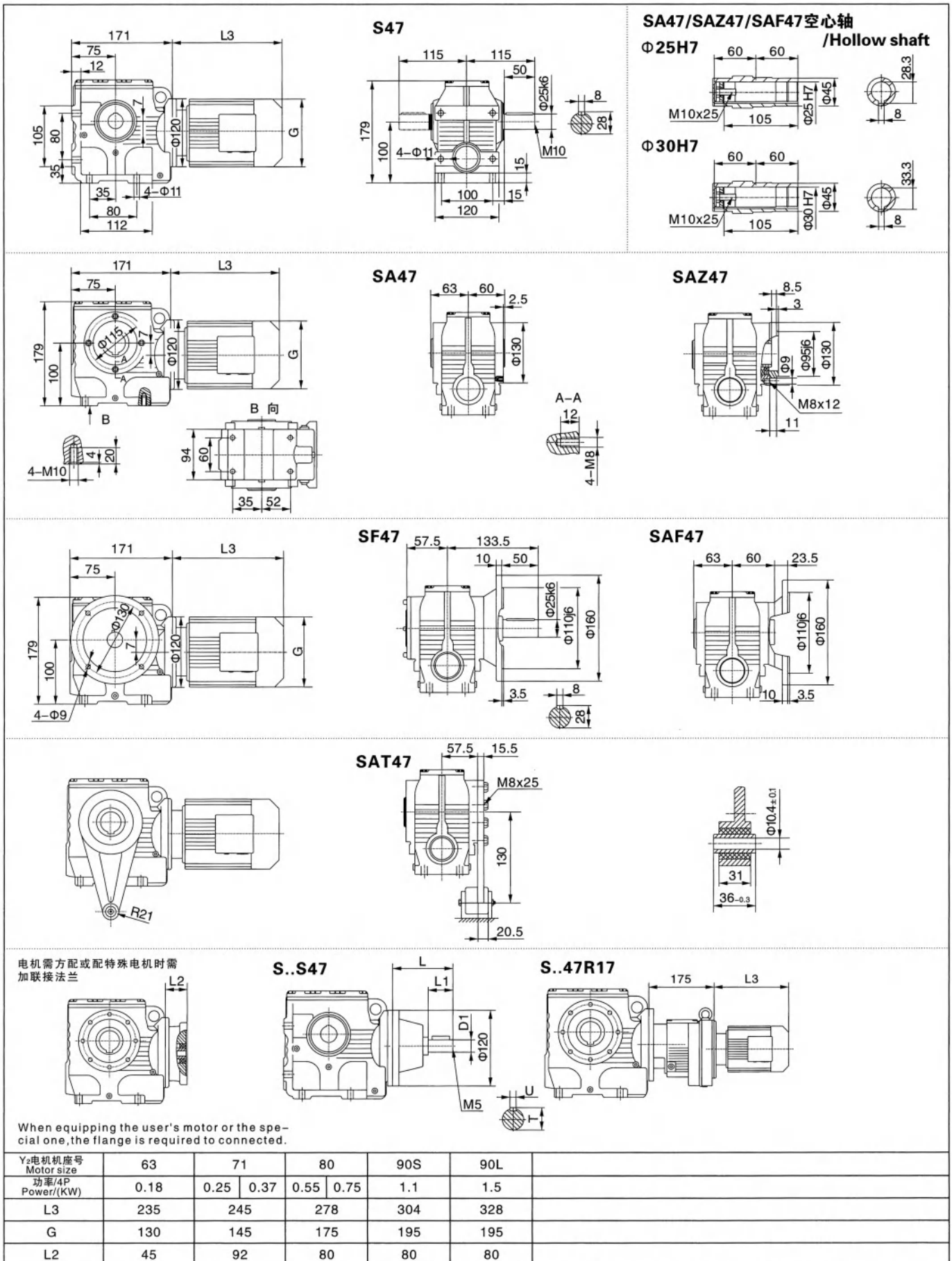
S系列斜齿轮-蜗轮蜗杆减速机/S helical-worm geared motors



注：1.SA、SF、SAF、SAZ壳体为通用件，安装尺寸均可相互参照。 2.“S..”表示S、SA、SF、SAF、SAZ。

Note: 1.The housings of SA, SF, SAF, SAZ are common parts. The mounting dimensions may consult each other. 2.“S..”mean S, SA, SF, SAF, SAZ.

S系列斜齿轮-蜗轮蜗杆减速机/S helical-worm geared motors



注：1.SA、SF、SAF、SAZ壳体为通用件，安装尺寸均可相互参照。 2."S.."表示S、SA、SF、SAF、SAZ。
 Note: 1.The housings of SA、SF、SAF、SAZ are common parts. The mounting dimensions may consult each other. 2."S.."mean S、SA、SF、SAF、SAZ.

S系列斜齿轮-蜗轮蜗杆减速机/S helical-worm geared motors

S57

SA57/SAZ57/SAF57空心轴 /Hollow shaft

Φ30H7

Φ35H7

SA57

SAZ57

SF57

SAF57

SAT57

电机需方配或配特殊电机时需加联接法兰

S..S57

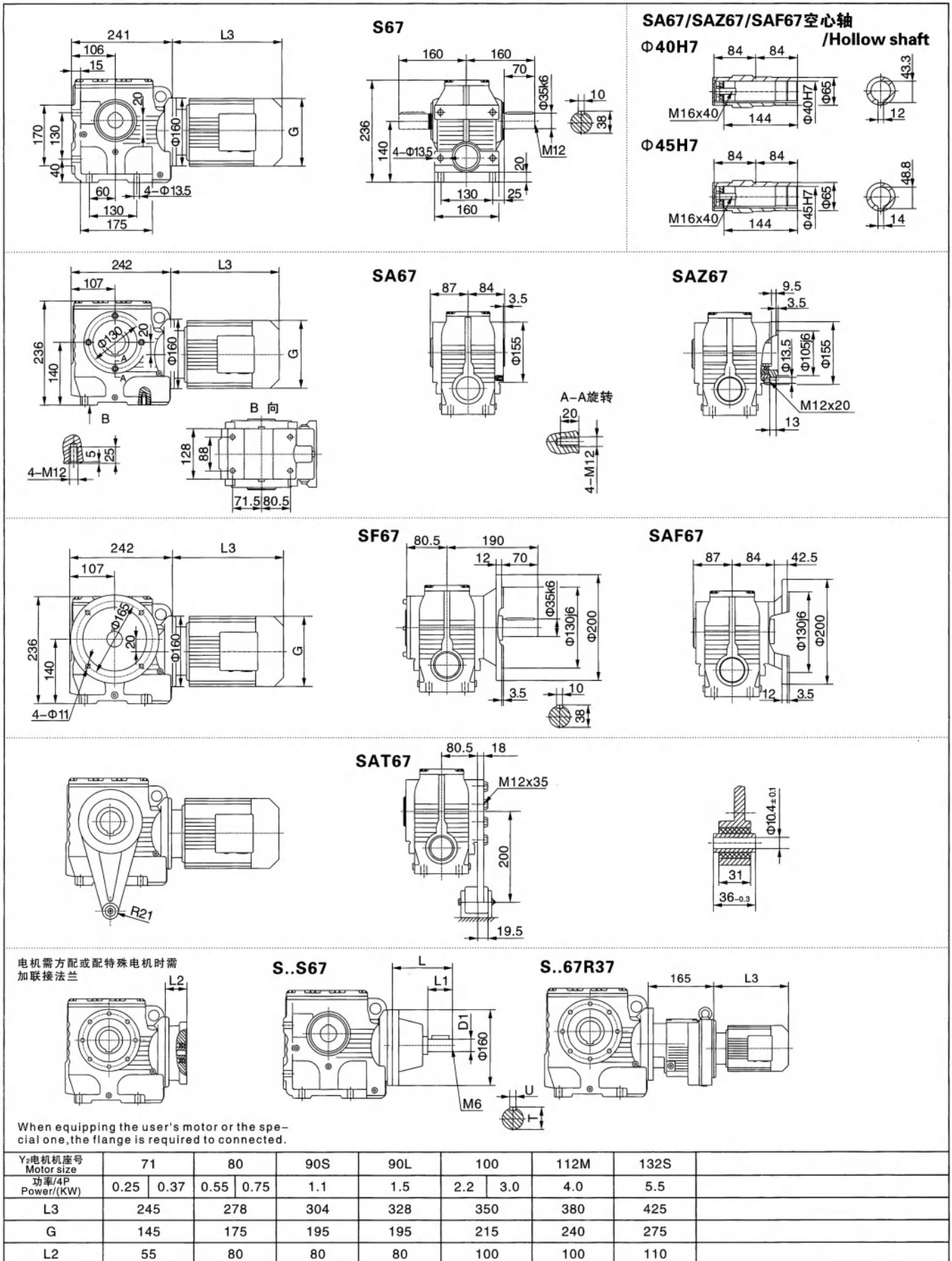
S..57R17

When equipping the user's motor or the special one, the flange is required to be connected.

Y ₂ 电机机座号 Motor size	63	71	80	90S	90L	100		
功率/4P Power/(KW)	0.18	0.25 0.37	0.55 0.75	1.1	1.5	2.2 3.0		
L3	235	245	278	304	328	340		
G	130	145	175	195	195	215		
L2	45	92	80	80	80	80		

注: 1.SA、SF、SAF、SAZ壳体为通用件, 安装尺寸均可相互参照。 2."S.."表示S、SA、SF、SAF、SAZ。
 Note: 1.The housings of SA、SF、SAF、SAZ are common parts. The mounting dimensions may consult each other. 2."S.."mean S、SA、SF、SAF、SAZ.

S系列斜齿轮-蜗轮蜗杆减速机/S helical-worm geared motors



注: 1.SA、SF、SAF、SAZ壳体为通用件, 安装尺寸均可相互参照。 2."S.."表示S、SA、SF、SAF、SAZ。
Note: 1.The housings of SA、SF、SAF、SAZ are common parts. The mounting dimensions may consult each other. 2."S.."mean S、SA、SF、SAF、SAZ.

S系列斜齿轮-蜗轮蜗杆减速机/S helical-worm geared motors

S77

SA77

SA77/SAZ77/SAF77空心轴 /Hollow shaft

φ50H7

φ60H7

SAZ77

SF77

SAF77

SAT77

电机需方配或配特殊电机时需加联接法兰

S..S77

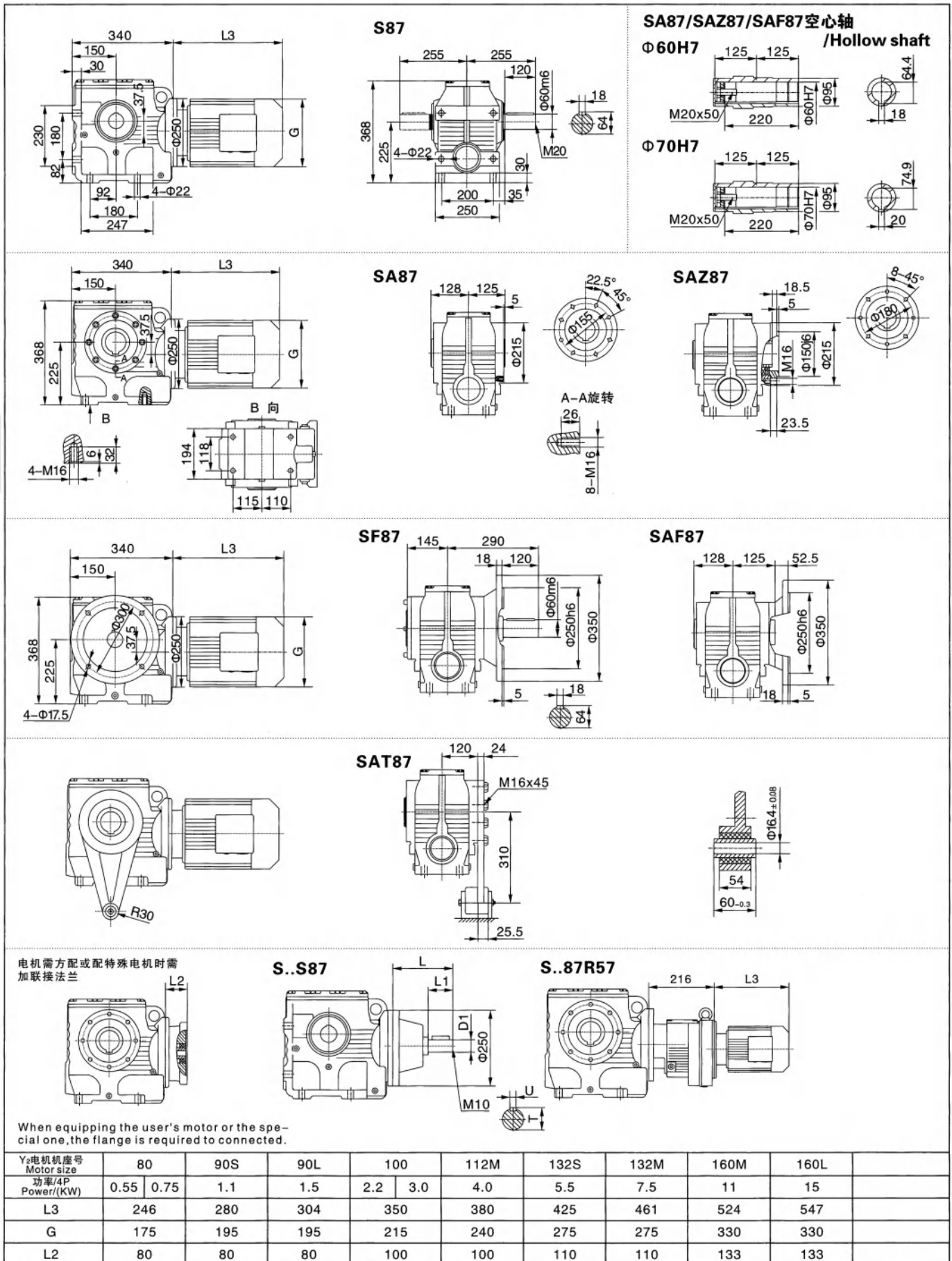
S..77R37

When equipping the user's motor or the special one, the flange is required to be connected.

Y ₂ 电机机座号 Motor size	80	90S	90L	100	112M	132S	132M	
功率/4P Power/(kW)	0.55 0.75	1.1	1.5	2.2 3.0	4.0	5.5	7.5	
L3	278	304	328	350	380	425	461	
G	175	195	195	215	240	275	275	
L2	80	80	80	100	100	110	110	

注：1.SA、SF、SAF、SAZ壳体为通用件，安装尺寸均可相互参照。 2."S.."表示S、SA、SF、SAF、SAZ。
 Note: 1.The housings of SA、SF、SAF、SAZ are common parts. The mounting dimensions may consult each other. 2."S.."mean S、SA、SF、SAF、SAZ.

S系列斜齿轮-蜗轮蜗杆减速机/S helical-worm geared motors



注：1.SA、SF、SAF、SAZ壳体为通用件，安装尺寸均可相互参照。 2."S.."表示S、SA、SF、SAF、SAZ。

Note: 1.The housings of SA, SF, SAF, SAZ are common parts. The mounting dimensions may consult each other. 2."S.."mean S, SA, SF, SAF, SAZ.

S系列斜齿轮-蜗轮蜗杆减速机/S helical-worm geared motors

S97

SA97/SAZ97/SAF97空心轴 /Hollow shaft

Ø70H7

Ø90H7

SA97

SAZ97

SF97

SAF97

SAT97

电机需方配或配特殊电机时需加联接法兰

When equipping the user's motor or the special one, the flange is required to be connected.

S..S97

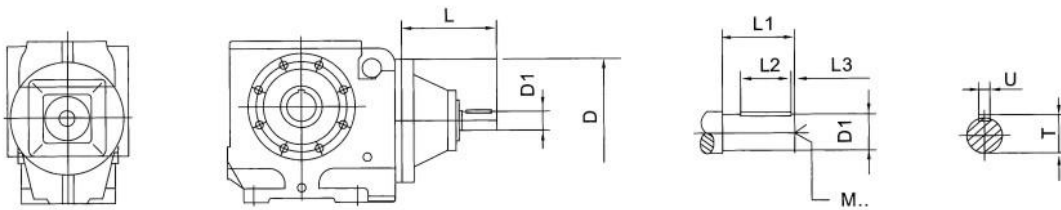
S..97R57

Y ₂ 电机机座号 Motor size	90L	100	112M	132S	132M	160M	160L	180M	180L	
功率/4P Power/(KW)	1.5	2.2 3.0	4.0	5.5	7.5	11	15	18.5	22	
L3	304	315	334	425	461	524	547	555	588	
G	195	215	240	275	275	330	330	380	380	
L2	107	100	100	110	110	133	133	133	133	

注: 1.SA、SF、SAF、SAZ壳体为通用件, 安装尺寸均可相互参照。 2."S.."表示S、SA、SF、SAF、SAZ。
 Note: 1.The housings of SA、SF、SAF、SAZ are common parts. The mounting dimensions may consult each other. 2."S.."mean S、SA、SF、SAF、SAZ.

S系列斜齿轮-蜗轮蜗杆减速机/S helical- worm geared motors

S..~AD..



		D	L	D1	L1	L3	L2	T	U	M
S..37 S..47 S..57	AD1	120	102	16	40	4	32	18	5	M5
	AD2		130	19	40	4	32	21.5	6	M6
S..67	AD2	160	123	19	40	4	32	21.5	6	M6
	AD3		159	24	50	5	40	27	8	M8
S..77	AD2	200	116	19	40	4	32	21.5	6	M6
	AD3		151	24	50	5	40	27	8	M8
	AD4		224	38	80	5	70	41	10	M12
S..87	AD2	250	111	19	40	4	32	21.5	6	M6
	AD3		156	28	60	5	50	31	8	M10
	AD4		219	38	80	5	70	41	10	M12
	AD5		292	42	110	10	70	45	12	M16
S..97	AD3	300	151	28	60	5	50	31	8	M10
	AD4		214	38	80	5	70	41	10	M12
	AD5		287	42	110	10	70	45	12	M16
	AD6		327	48	110	10	80	51.5	14	M16

S系列斜齿轮-蜗轮蜗杆减速机/S helical- worm geared motors

S..AM..

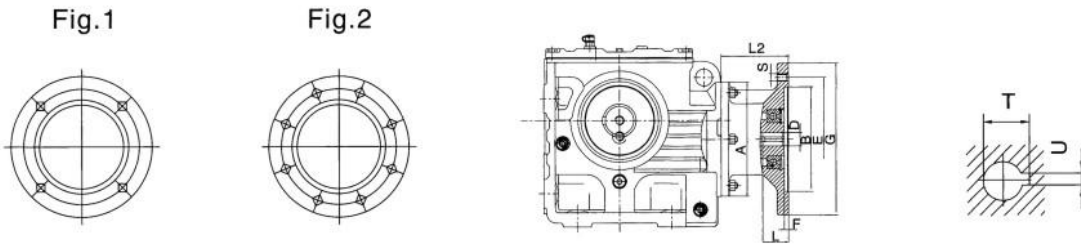


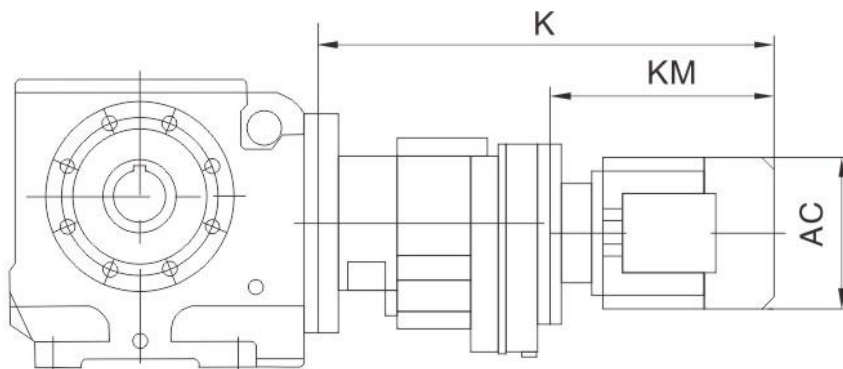
		Fig1	B	E	F	A	G	S	L2	D	L	T	U		
S..37 S..47 S..57	Am63	1	95	115	3.5	120	140	M8	45	11	23	12.8	4		
	AM71 ¹⁾		110	130			160		92	14	30	16.3	5		
	Am80 ¹⁾		130	165	4.5		200	M10	80	19	40	21.8	6		
	Am90 ¹⁾									24	50	27.3	8		
S..67	Am63	1	95	115	3.5	160	140	M8	45	11	23	12.8	4		
	Am71		110	130			160		55	14	30	16.3	5		
	Am80		130	165	4.5		200	M10	80	19	40	21.8	6		
	Am90									24	50	27.3	8		
	Am100 ¹⁾		180	215	5		250	M12	100	28	60	31.3	8		
Am112 ¹⁾															
S..77	Am63	1	95	115	3.5	200	140	M8	45	11	23	12.8	4		
	Am71		110	130			160		55	14	30	16.3	5		
	Am80		130	165	4.5		200	M10	80	19	40	21.8	6		
	Am90									24	50	27.3	8		
	Am100 ¹⁾		180	215	5		250	M12	100	28	60	31.3	8		
	Am112 ¹⁾														
	AM132S ¹⁾		230	265	5		300	M12	110	38	80	41.3	10		
	AM132M ¹⁾														
AM132ML ¹⁾															
S..87	Am80	1	130	165	4.5	250	200	M10	80	19	40	21.8	6		
	Am90									24	50	27.3	8		
	Am100		180	215	5		250	M12	100	28	60	31.3	8		
	Am112														
	Am132MS		230	265	5		300	M12	110	38	80	41.3	10		
	AM132M														
	AM132ML														
	Am160 ¹⁾		250	300	6		350	M16	133	42	110	45.3	12		
Am180 ¹⁾	48	51.8				14									
S..97	Am100	1	180	215	5	300	250	M12	100	28	60	31.3	8		
	Am112														
	AM132S		230	265	5		300	M12	110	38	80	41.3	10		
	AM132M														
	AM132ML														
	Am160		250	300	6		350	M16	133	42	110	45.3	12		
	Am180									48		51.8	14		
	Am200 ¹⁾		300	350	7		400	M16	135	55	59.3	16			
Am225 ¹⁾	2	350	400	7		450	143			60	140	64.4	18		

1) 如果安装在BS系列脚安装方式的减速机伞, 请检查尺寸G/2, 它可能已突出安装平面

Dimension G/2 May protrude past tooth mounting surface if mounted on BS foot-mounted gear unit, please check.

S系列斜齿轮-蜗轮蜗杆减速机/S helical- worm geared motors

S..R..



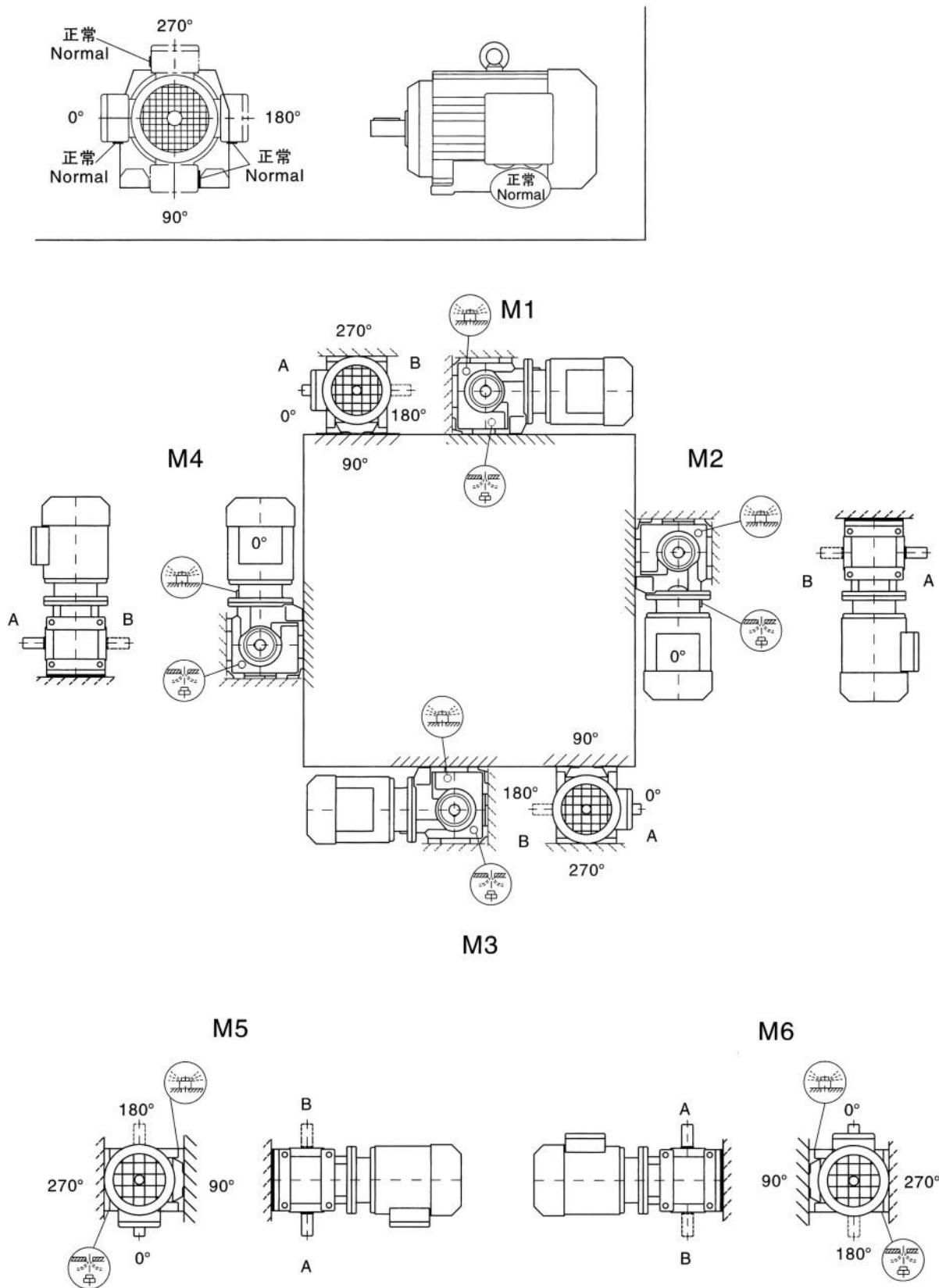
		AC	K	KM
S..37R17	D63..	138	368	193
	D71D	158	369	194
	D80..	168	419	244
S..47R17 S..57R17	D63..	138	368	193
	D71D	158	369	194
	D80..	168	419	244
S..67R37	D63..	138	386	221
	D71D	158	404	239
	D80..	168	436	271
	D90..	195	479	314
S..77R37	D63..	138	378	221
	D71D	158	396	239
	D80..	168	428	271
	D90..	195	411	314
S..87R57	D63..	138	432	216
	D71D	158	450	234
	D80..	168	481	265
	D90..	195	525	309
	D100M	218	542	326
	D100L	218	542	326
S..97R57	D63..	138	427	216
	D71D	158	445	234
	D80..	168	476	265
	D90..	195	520	309
	D100M	218	537	326
	D100L	218	537	326
	D112M	240	593	382

注：上表中电机尺寸为参考尺寸，因空间限制对电机尺寸有严格要求时请向我公司咨询。

Notes: The dimension of motor in the above table is only for reference. If you have special require, please consult us.

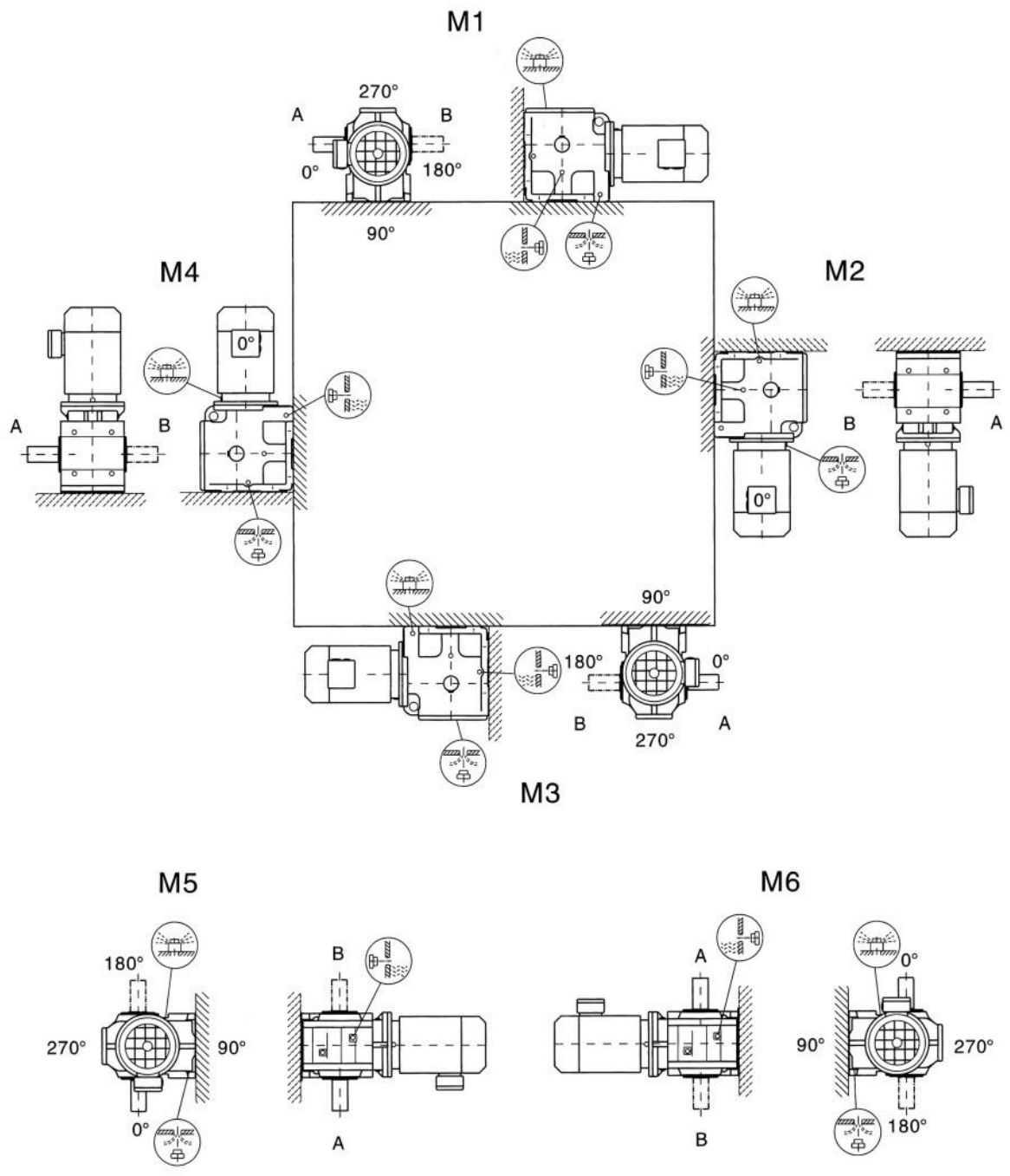
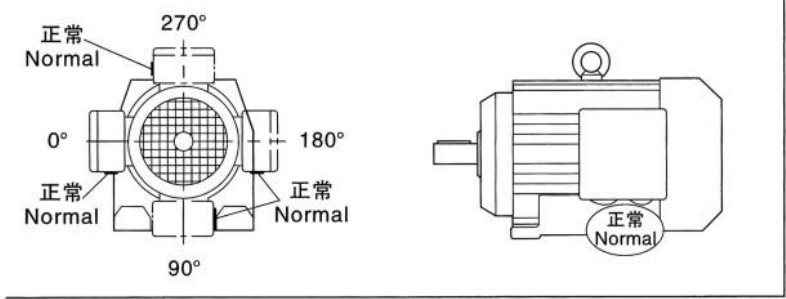
S系列斜齿轮-蜗轮蜗杆减速机/S helical-worm geared motors

S37安装形式图 S37 Mounting position example



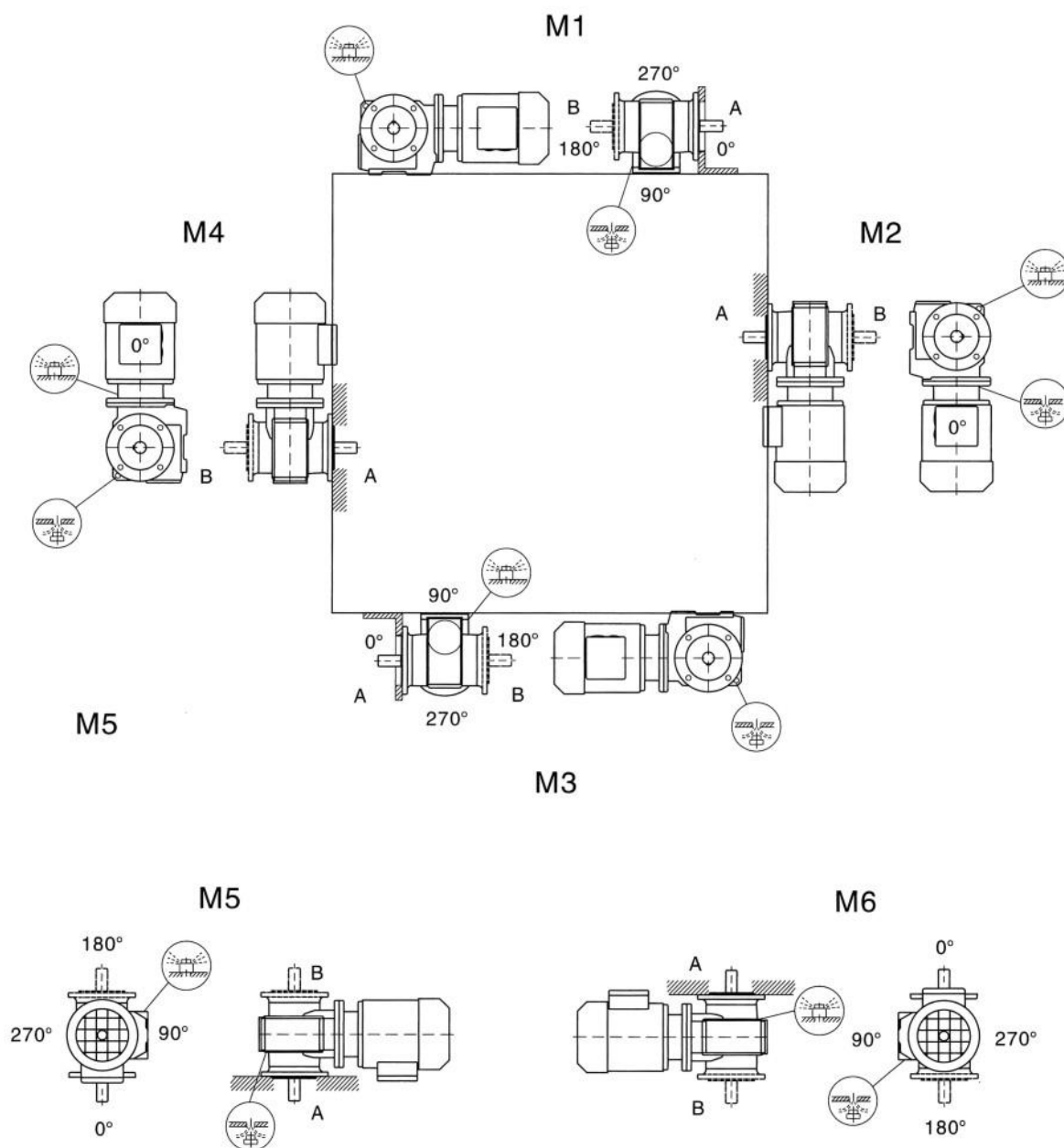
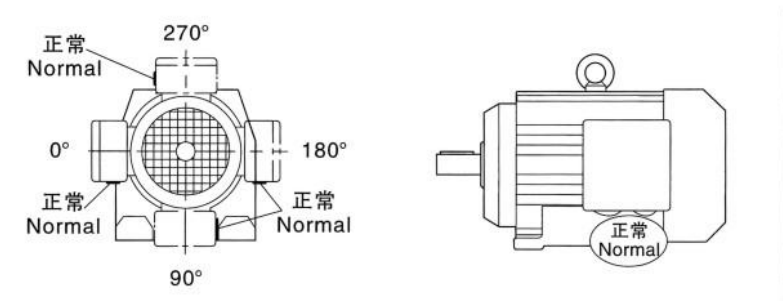
S系列斜齿轮-蜗轮蜗杆减速机/S helical-worm geared motors

S47-97安装形式图 S47-97 Mounting position example



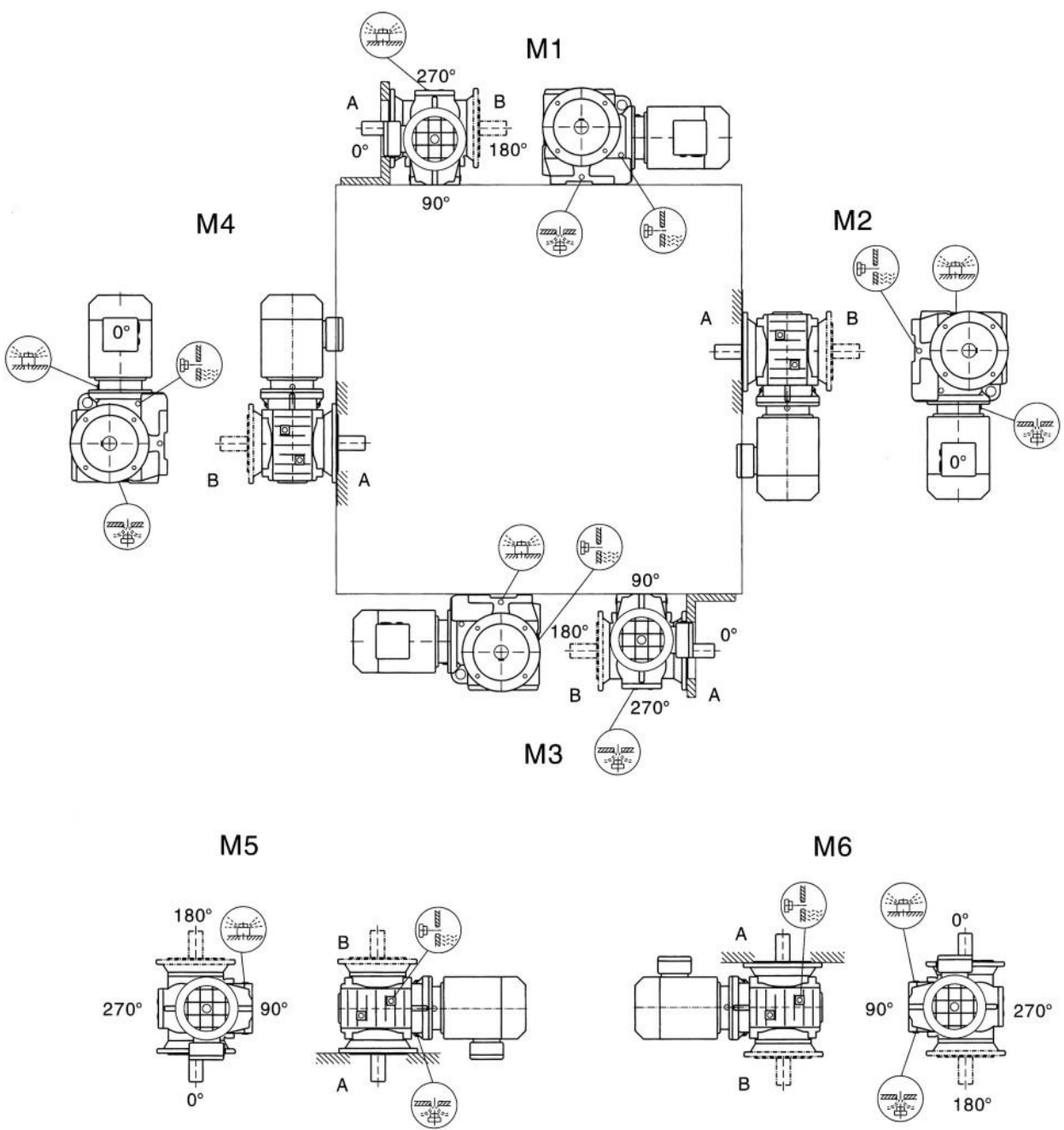
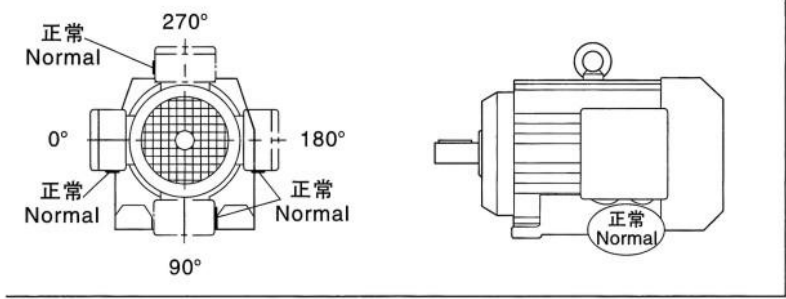
S系列斜齿轮-蜗轮蜗杆减速机/S helical-worm geared motors

SF/SAF37安装形式图 SF/SAF37 Mounting position example



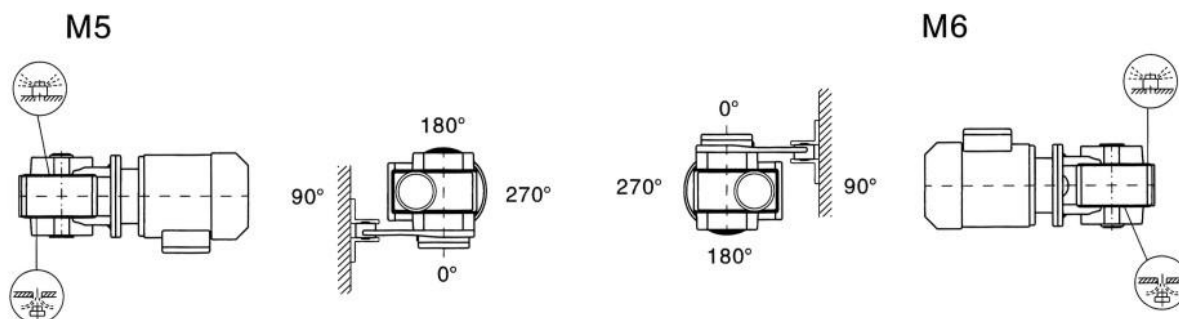
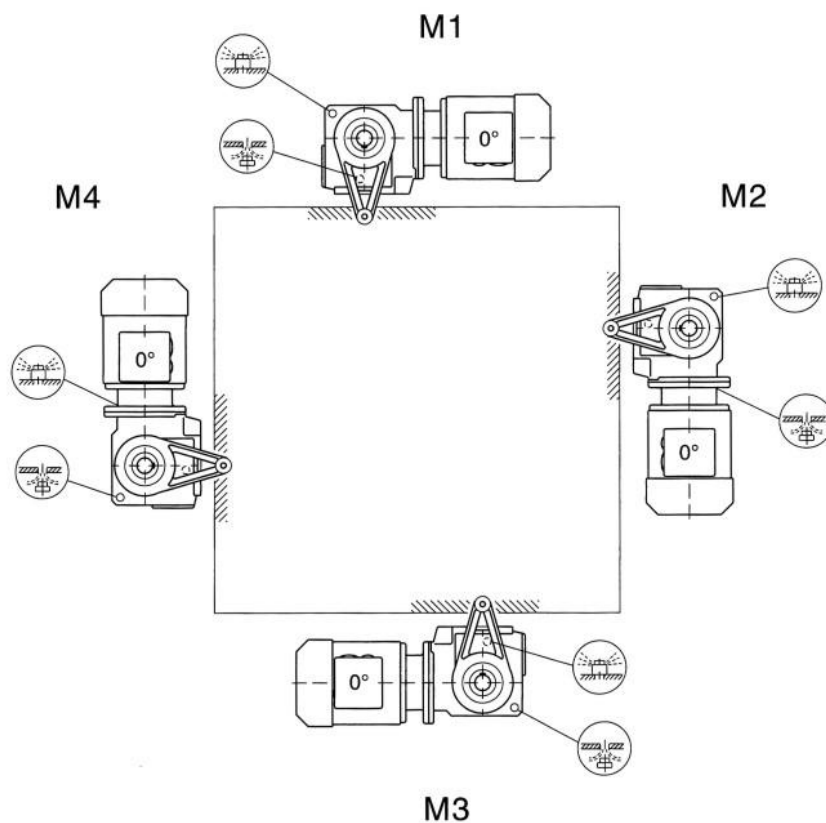
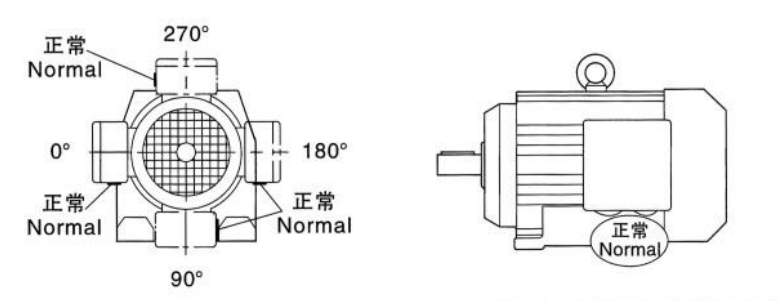
S系列斜齿轮-蜗轮蜗杆减速机/S helical- worm geared motors

SF/SAF/SAZ47-97安装形式图 SF/SAF/SAZ47-97 Mounting position example



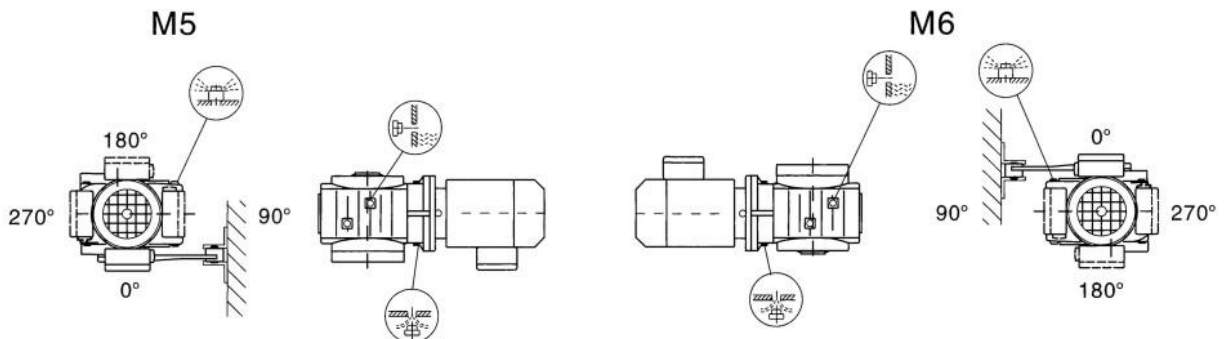
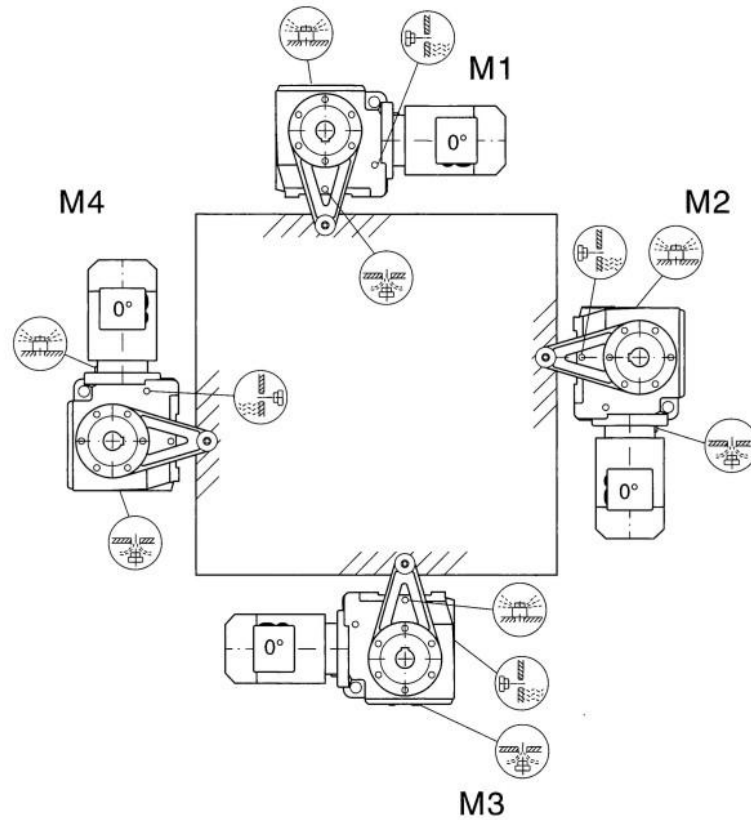
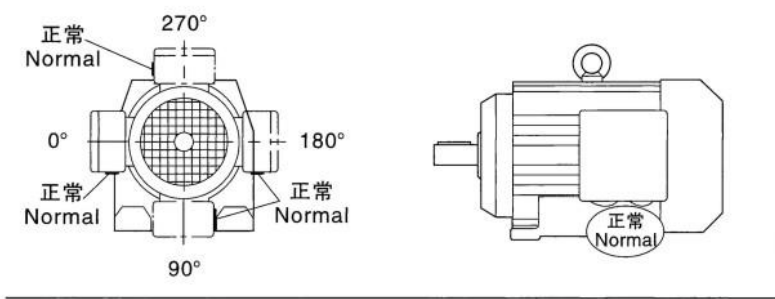
S系列斜齿轮-蜗轮蜗杆减速机/S helical-worm geared motors

SAT37安装形式图 SAT37 Mounting position example



S系列斜齿轮-蜗轮蜗杆减速机/S helical- worm geared motors

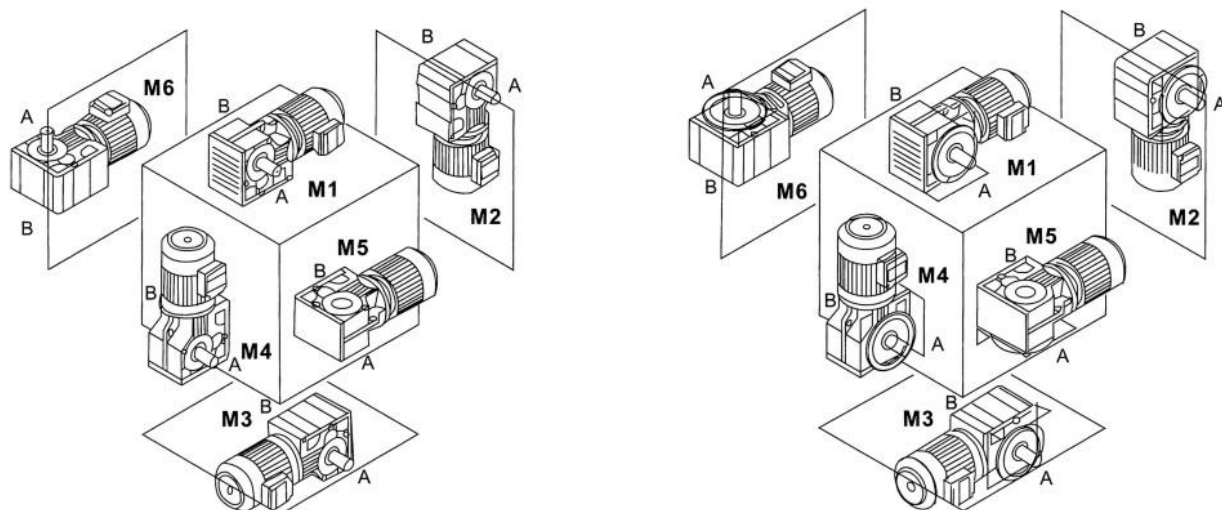
SAT47-97安装形式图 SAT47-97 Mounting position example



S系列斜齿轮-蜗轮蜗杆减速机/S helical-worm geared motors

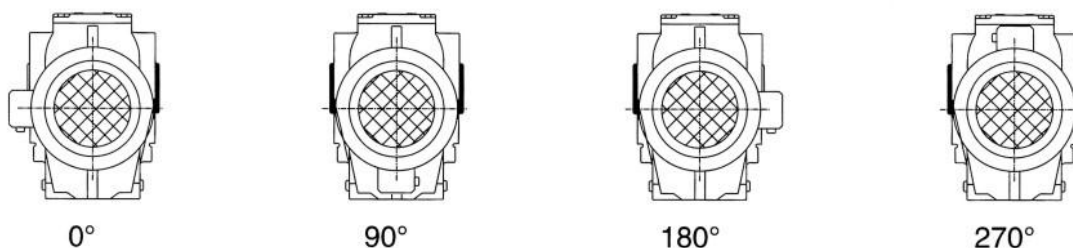
安装形式:

Mounting position:



电机接线盒位置

Position of the motor thermal box



输入功率及许用转矩

Input power rating and permissible torque

规格 Size	37	47	57	67	77	87	97
结构形式 Structure	S SA SF SAF SAT SAZ						
输入功率(kw) Input power rating	0.18~0.75	0.18~1.5	0.18~3	0.25~5.5	0.55~7.5	0.75~15	1.5~22
传动比 Ratio	10.27~165.71	11.46~244.74	10.75~196.21	11.55~227.20	9.96~241.09	11.83~223.26	12.75~230.48
许用转矩(N.m) Permissible torque	90	170	300	520	1270	2280	4000

S系列斜齿轮-蜗轮蜗杆减速机/S helical- worm geared motors

减速机重量

Gear unit weight

规格 Size	37	47	57	67	77	87	97
重量(kg) Weight	7	10	14	26	50	100	170

所注重量为平均值, 仅供参考

The weights are mean values, only for reference.

润滑油量表

Lubrication table

S...:

规格 Size	润滑油量 (升) Fill quantity in liters					
	M1	M2	M3 ¹⁾	M4	M5	M6
S37	0.25	0.4	0.5	0.6	0.4	0.4
S47	0.35	0.8	0.7	1.1	0.8	0.8
S57	0.5	1.2	1	1.5	1.3	1.3
S67	1	2.0	2.2/3.1	3.2	2.6	2.6
S77	1.9	4.2	3.7/5.4	6	4.4	4.4
S87	3.3	8.1	6.9/10.4	12	8.4	8.4
S97	6.8	15	13.4/18	22.5	17	17

SF...:

规格 Size	润滑油量 (升) Fill quantity in liters					
	M1	M2	M3 ¹⁾	M4	M5	M6
SF37	0.25	0.4	0.5	0.6	0.4	0.4
SF47	0.4	0.9	0.9	1.2	1.0	1.0
SF57	0.5	1.2	1	1.6	1.4	1.4
SF67	1	2.2	2.3/3	3.2	2.7	2.7
SF77	1.9	4.1	3.9/5.8	6.5	4.9	4.9
SF87	3.8	8	7.1/10.1	12	9.1	9.1
SF97	7.4	15	13.8/18.8	23.6	18	18

SA..., SAF..., SAZ...:

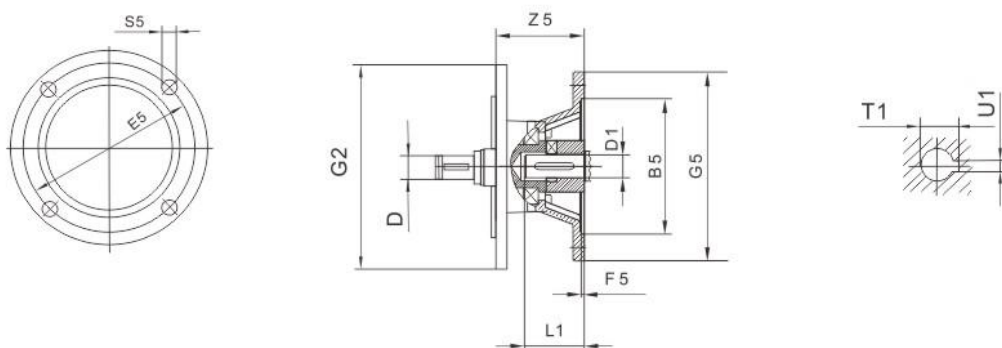
规格 Size	润滑油量 (升) Fill quantity in liters					
	M1	M2	M3 ¹⁾	M4	M5	M6
S..37	0.25	0.4	0.5	0.6	0.4	0.4
S..47	0.4	0.8	0.7	1.1	0.8	0.8
S..57	0.5	1.1	1	1.6	1.2	1.2
S..67	1	2.0	1.8/2.6	2.9	2.5	2.5
S..77	1.8	3.9	3.6/5	5.9	4.5	4.5
S..87	3.8	7.4	6/8.7	11.2	8	8
S..97	7	14	11.4/16	21	15.7	15.7

注: ¹⁾表示减速机为组合型时低速级所加油量为大值。

Notes: ¹⁾The large gear unit of multi-stage gear units must be filled with the larger oil volume.

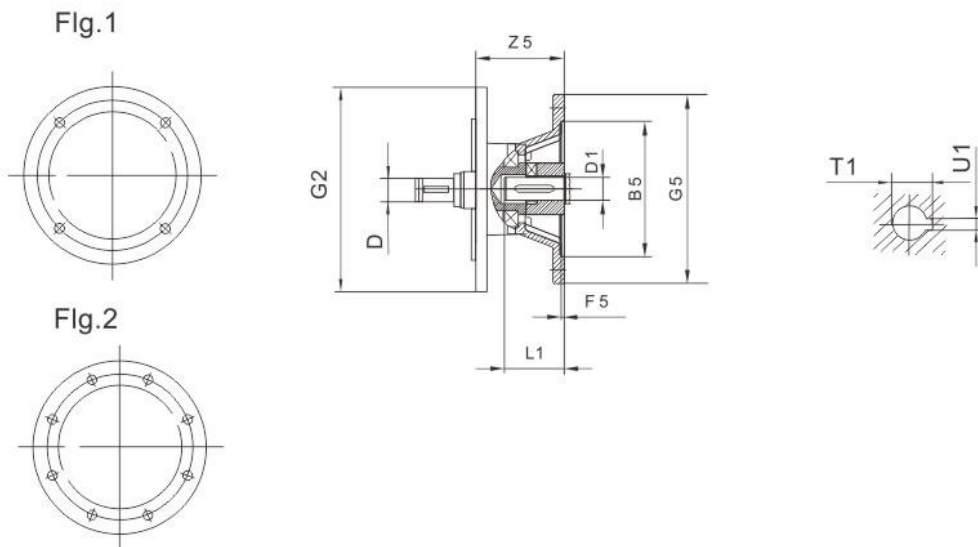
R/F/K/S联轴器尺寸表/ Coupling for mounting of IEC motor

用于安装IEC标准电机的联轴器 Coupling for mounting of IEC motors



减速机规格 Gear unit type	联轴器规格 Coupling type	B5	D	E5	F5	G2	G5	S5	Z5	D1	L1	T1	U1
R..27, R..37 F..37, F..47 K..37 S..37, S..47, S..57	AM63	95G7	10n6	115	3.5	120	140	M8	72	11F7	23	12.8	4
	AM71 ¹⁾	110G7		130			160		92.5	14F7	30	16.3	5
	AM80 ¹⁾	130G7	12n6	165	4.5		200	M10	118	19F7	40	21.8	6
	AM90 ¹⁾		14n6							24F7	50	27.3	8
R..47, R..57, R..67 F..57, F..67 K..47, K..57, K..67 S..67	AM63	95G7	10n6	115	3.5	160	140	M8	66	11F7	23	12.8	4
	AM71	110G7		130			160		87	14F7	30	16.3	5
	AM80	130G7	12n6	165	4.5		200	M10	113	19F7	40	21.8	6
	AM90		14n6							24F7	50	27.3	8
	AM100 ¹⁾	180G7	16n6	215	5		250	M12	144	28H7	60	31.3	8
	AM112 ¹⁾		18n6							300	177	38H7	80
	AM132 ¹⁾	230G7	22n6	265	5		300	M12	177	38H7	80	41.3	10
R..77 F..77 K..77 S..77	AM63	95G7	10n6	115	3.5	200	140	M8	60	11F7	23	12.8	4
	AM71	110G7		130			160			14F7	30	16.3	5
	AM80	130G7	12n6	165	4.5		200	M10	92	19F7	40	21.8	6
	AM90		14n6							24F7	50	27.3	8
	AM100 ¹⁾	180G7	16n6	215	5		250	M12	136	28H7	60	31.3	8
	AM112 ¹⁾		18n6							300	196	38H7	80
	AM132S ¹⁾ AM132M ¹⁾	230G7	22n6	265	5		300	M12	196	38H7	80	41.3	10
	AM132ML ¹⁾		28n6							300	196	38H7	80
R..87 F..87 K..87 S..87	AM80	130G7	12n6	165	4.5	250	200	M10	100	19F7	40	21.8	6
	AM90		14n6							24F7	50	27.3	8
	AM100	180G7	16n6	215	5		250	M12	131	28H7	60	31.3	8
	AM112		18n6							300	191	38H7	80
	AM132S AM132M	230G7	22n6	265	5		300	M12	191	38H7	80	41.3	10
	AM132ML		28n6							300	191	38H7	80
	AM160 ¹⁾	250G7	28n6	300	6		350	M16	236	42H7	110	45.3	12
	AM180 ¹⁾		32n6							48H7		51.8	14

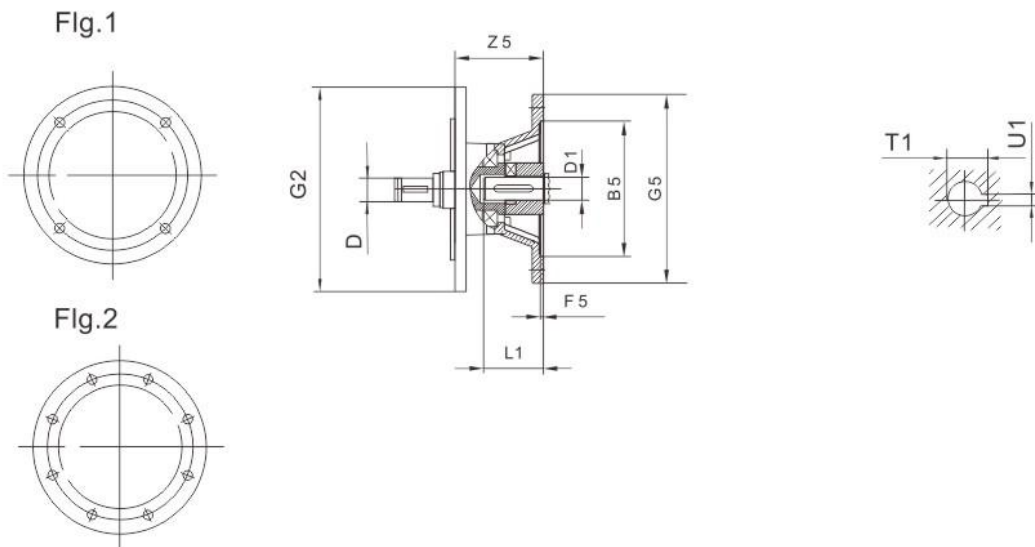
R/F/K/S联轴器尺寸表/ Coupling for mounting of IEC motor



减速机规格 Gear unit type	联接盘规格 Motor adcopator	Fig	B5	D	E5	F5	G2	G5	S5	Z5	D1	L1	T1	U1	
R..97 F..97 K..97 S..97	AM100	1	180 G7	16n6	215	5	300	250	M12	116	28H7	60	31.3	8	
	AM112			18n6											
	AM132S		230 G7	22n6	265			300	M12	169	38H7	80	41.3	10	
	AM132M			28n6											
	AM160		250 G7	28n6	300			6	350	M16	227	42H7	110	45.3	12
	AM180			32n6								48H7		51.8	14
	AM200		300 G7	38n6	350			7	400	M16	268	55F7	140	59.3	16
	AM225 ¹⁾		2	350 G7	38n6			400	6		450	283		60H7	64.4
R..107 F..107 K..107	AM100	1	180 G7	16n6	215	5	350	250	M12	110	28H7	60	31.3	8	
	AM112			18n6											
	AM132S		230 G7	22n6	265			300	M12	163	38H7	80	41.3	10	
	AM132M			28n6											
	AM160		250 G7	28n6	300			6	350	M16	221	42H7	110	45.3	12
	AM180			32n6								48H7		51.8	14
	AM200		300 G7	38n6	350			7	400	M16	262	55F7	140	59.3	16
	AM225		2	350 G7	38n6			400	6		450	277		60H7	64.4
R..137	AM132S	1	230 G7	22n6	265	5	400	300	M12	156	38H7	80	41.3	10	
	AM132M			28n6											
	AM132ML		250 G7	28n6	300	6		350	M16	214	42H7	110	45.3	12	
	AM160			32n6							48H7		51.8	14	
	AM180		300 G7	38n6	350	7		400	M16	255	55F7	140	59.3	16	
	AM200														
AM225	2	350 G7	38n6	400	6	450	270	60H7	64.4	18					

如果安装在R、K和S系列地脚安装方式的减速机上，请检查尺寸G5/2，它可能已经突出安装平面。
Dimension 1/2 G5 may protrude past foot mounting surface if mounted on R.K or S foot-mounted gear unit, Please check.

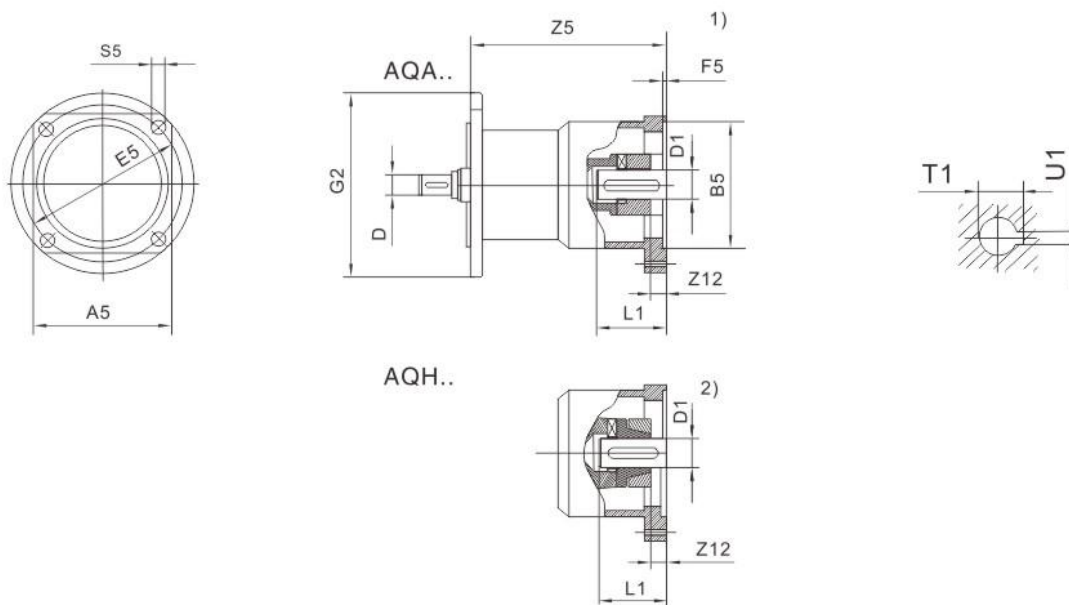
R/F/K/S联轴器尺寸表/ Coupling for mounting of IEC motor



减速机规格 Gear unit type	联接盘规格 Motor adcopator	Fig.	B5	D	E5	F5	G2	G5	S5	Z5	D1	L1	T1	U1				
R..147 F..127 K..127	AM132S	1	230G7	22n6	265	5	450	300	M12	148	38H7	80	41.3	10				
	AM132M			28n6														
	AM132ML		28n6															
	AM160	1	250G7	28n6	300	6		350	M16	206	42H7	110	45.3	12				
	AM180			32n6											48H7	51.8	14	
	AM200	2	300G7	38n6	350	7		400	M16	247	55F7	140	59.3	16				
	AM225			38n6											400	60H7	64.4	18
	AM250			48n6											500	65H7	69.4	20
AM280	450G7	48n6	500	75H7	79.9	20												
R..167 F..157 K..157 K..167 K..187	AM160	1	250G7	28n6	300	6	550	350	M16	198	42H7	110	45.3	12				
	AM180			32n6											48H7	51.8	14	
	AM200	1	300G7	38n6	350	7		400	M16	239	55F7	140	59.3	16				
	AM225			38n6											400	60H7	64.4	18
	AM250	2	450G7	48n6	500	7		450	M16	254	60H7	140	69.4	18				
	AM280			48n6											500	65H7	69.4	20
	AM280	450G7	48n6	500	75H7	79.9		20										

R/F/K/S联接盘尺寸表/ Adapter for mounting of servomotor

用于安装伺服电机的联接盘 Adapter for mounting of servomotors



减速机规格 Gear unit type	联接盘规格 Motor adcopator	A5	B5	D	E5	F5	G2	S5	Z5	Z12 ¹⁾	Z12 ²⁾	D1	L1	T1 ¹⁾	U1 ¹⁾			
R..27 R..37 F..37 F..47 K..37 S..37 S..47 S..57	AQ..80/1	82	60G7	10n6	75	3	120	M5	104.5	5.5	5.5	11F7	23	12.8	4			
	12n6			14F7								30	16.3	5				
	AQ..80/2	100	80G7	10n6	100	4		M6	129.5	-	-	14F7	30	16.3	5			
	12n6			19F7	40											21.8	6	
	AQ..80/3	115	50G7	14n6	115	4		M8	152.5	16	23	19F7	40	21.8	6			
	16n6			24F7	50											27.3	8	
	AQ..100/1	100	80G7	10n6	100	4		M6	129.5	-	-	14F7	30	16.3	5			
	12n6			19F7	40											21.8	6	
	AQ..100/2	115	95G7	14n6	115	4		M8	152.5	16	23	19F7	40	21.8	6			
	16n6			24F7	50											27.3	8	
AQ..100/3	115	95G7	10n6	100	4	M6	129.5	-	-	14F7	30	16.3	5					
12n6			19F7	40										21.8	6			
AQ..100/4	115	110G7	14n6	115	4	M8	152.5	16	23	19F7	40	21.8	6					
16n6			24F7	50										27.3	8			
AQ..115/1	115	95G7	10n6	100	4	M6	129.5	-	-	14F7	30	16.3	5					
12n6			19F7	40										21.8	6			
AQ..115/2	140	130G7	14n6	115	4	M8	152.5	16	23	19F7	40	21.8	6					
16n6			24F7	50										27.3	8			
AQ..115/3	140	130G7	10n6	100	4	M6	129.5	-	-	14F7	30	16.3	5					
12n6			19F7	40										21.8	6			
AQ..140/1	140	130G7	16n6	165	5	M10	175	21	16	24F7	50	27.3	8					
AQ..140/2			18n6	165										5	24F7	60	35.5	10
AQ..140/3			22n6	165										5	32F7	60	35.5	10

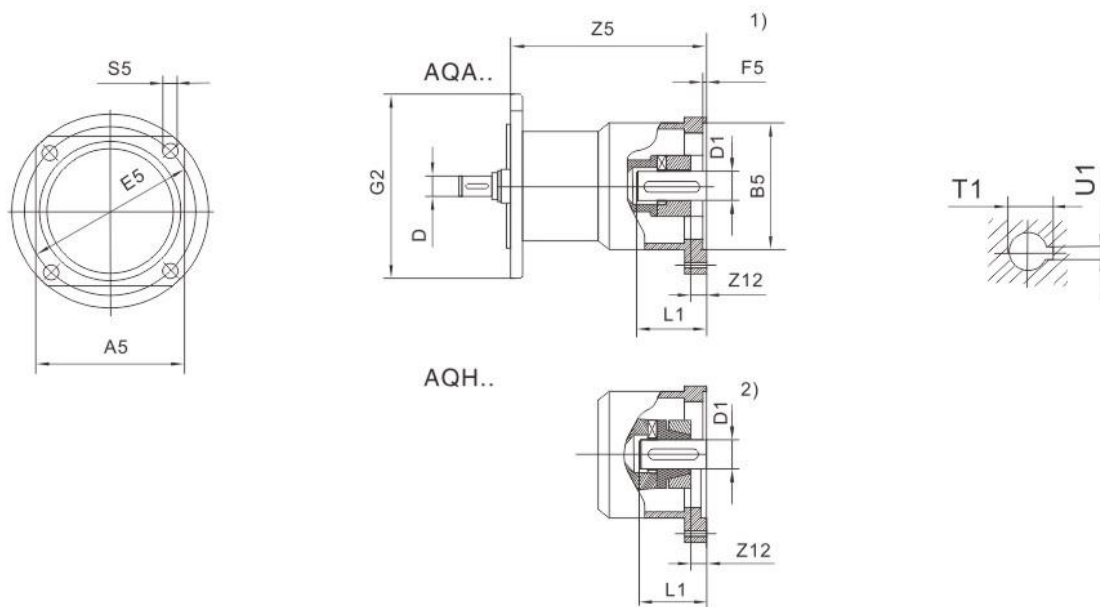
1)适用于键连接(AQA..)

1)Applies to type with key way(AQA)

2)适用于锁紧套连接(AQH..)

2)Applies to type with clamping ring hub (AQH)

R/F/K/S联接盘尺寸表/ Adapter for mounting of servomotor



减速器规格 Gear unit type	联接盘规格 Motor adcopator	A5	B5	D	E5	F5	G2	S5	Z5	Z12 ¹⁾	Z12 ²⁾	D1	L1	T1 ¹⁾	U1 ¹⁾					
R..77 F..77 K..77 S..77	AQ..80/1	82	60G7	10n6	75	3	200	M5	92	5.5	5.5	11F7	23	12.8	4					
	75				14F7							30	16.3	5						
	50G7		12n6	95																
	AQ..100/1	100	80G7	10n6	100	4		M6	115.5	-	-	14F7	30	16.3	5					
	AQ..100/2		95G7		115															
	AQ..100/3		80G7		12n6			100				M6	129.5	7	14	19F7	40	21.8	6	
	AQ..100/4		95G7		14n6			115				M8								
	AQ..115/1	115	95G7	16n6	130	5		M8	138.5	16	23	19F7	40	21.8	6					
	AQ..115/2		110G7									21	16	24F7	50	27.3	8			
	AQ..115/3																			
	AQ..140/1	140	110G7	16n6	18n6	165		M10	167	21	16	24F7	50	27.3	8					
	AQ..140/2		130G7									22n6	180	24	22	32F7	60	35.3	10	
	AQ..140/3																			
	AQ..190/1	190	130G7	22n6	28n6	215		M12	225.5	26	24	32F7	60	35.3	10					
AQ..190/2	180G7		249.5				39					34	38F7	80	41.3	10				
AQ..190/3																				
R..87 F..87 K..87 S..87	AQ..100/1	100	80G7	12n6	100	4	250	M6	110.5	-	-	14F7	30	16.3	5					
	AQ..100/2		95G7									115								
	AQ..100/3		80G7					12n6				100	M6	124.5	7	14	19F7	40	21.8	6
	AQ..100/4		95G7					14n6				115	M8							
	AQ..115/1	115	95G7	16n6	130	5		M8	133.5	16	23	19F7	40	21.8	6					
	AQ..115/2		110G7									21	16	24F7	50	27.3	8			
	AQ..115/3																			
	AQ..140/1	140	110G7	16n6	18n6	165		M10	162	21	16	24F7	50	27.3	8					
	AQ..140/2		130G7									22n6	175	24	22	32F7	60	35.3	10	
	AQ..140/3																			
AQ..190/1	190	130G7	22n6	28n6	215	M12	220.5	26	24	32F7	60	35.3	10							
AQ..190/2		180G7								244.5	39	34	38F7	80	41.3	10				
AQ..190/3																				

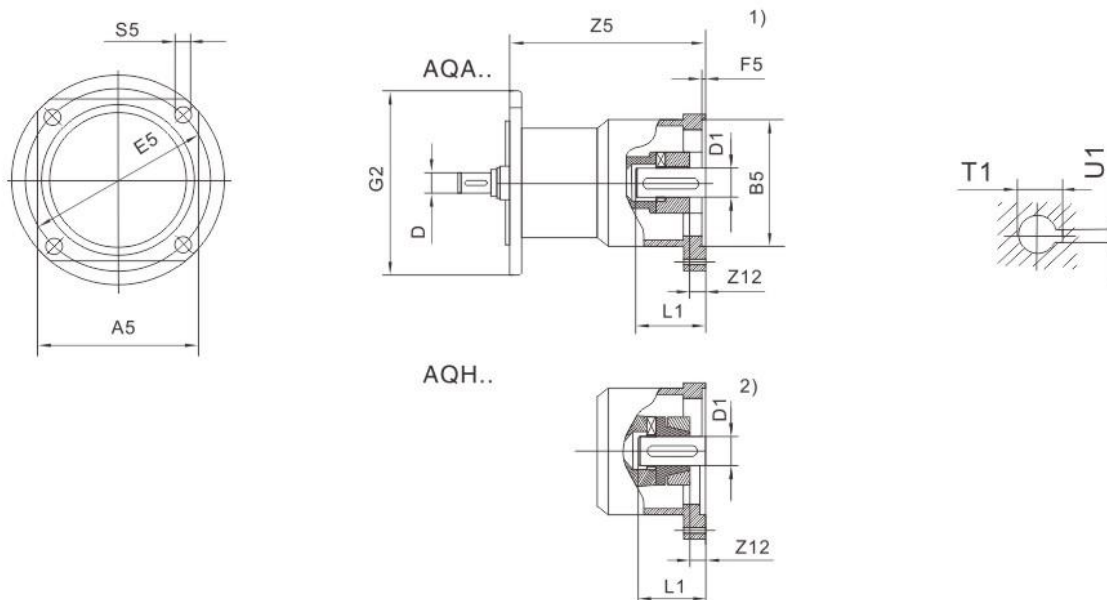
1)适用于键连接(AQA..)

1)Applies to type with key way(AQA)

2)适用于锁紧套连接(AQH..)

2)Applies to type with clamping ring hub (AQH)

R/F/K/S联接盘尺寸表/ Adapter for mounting of servomotor



减速机规格 Gear unit type	联接盘规格 Motor adcopator	A5	B5	D	E5	F5	G2	S5	Z5	Z12 ¹⁾	Z12 ²⁾	D1	L1	T1	U1					
R..97 F..97 K..97 S..97	AQ..140/1	140	110G7	16n6	165	5	300	M10	157	21	16	24F7	50	27.3	8					
	AQ..140/2		18n6	170					24	22	32F7	60	35.3	10						
	AQ..140/3		22n6																	
	AQ..190/1	190	130G7	22n6	215			M12	215.5	26	24	32F7	60	35.3	10					
	AQ..190/2		28n6	239.5					39	34	38F7	80	41.3							
AQ..190/3																				
R..107 F..107 K..107	AQ..140/1	140	110G7	16n6	165			5	350	M10	151	21	16	24F7	50	27.3	8			
	AQ..140/2		18n6	164							24	22	32F7	60	35.3	10				
	AQ..140/3		22n6																	
	AQ..190/1	190	130G7	22n6	215					M12	209.5	26	24	32F7	60	35.3	10			
	AQ..190/2		28n6	233.5		39	34				38F7	80	41.3							
AQ..190/3																				
R..137	AQ..190/1	190	130G7	22n6	215	5	400			M12	202.5	-	25	32F7	60	35.3	10			
	AQ..190/2		28n6	226.5							39	34	38F7	80	41.3					
	AQ..190/3																			
R..147 F..127 K..127	AQ..190/1		130G7	22n6							215	5	450	M12	194.5	26		24	32F7	60
	AQ..190/2			28n6				218.5	39						34	38F7		80	41.3	
	AQ..190/3																			

1)适用于键连接(AQA..)

1)Applies to type with key way(AQA)

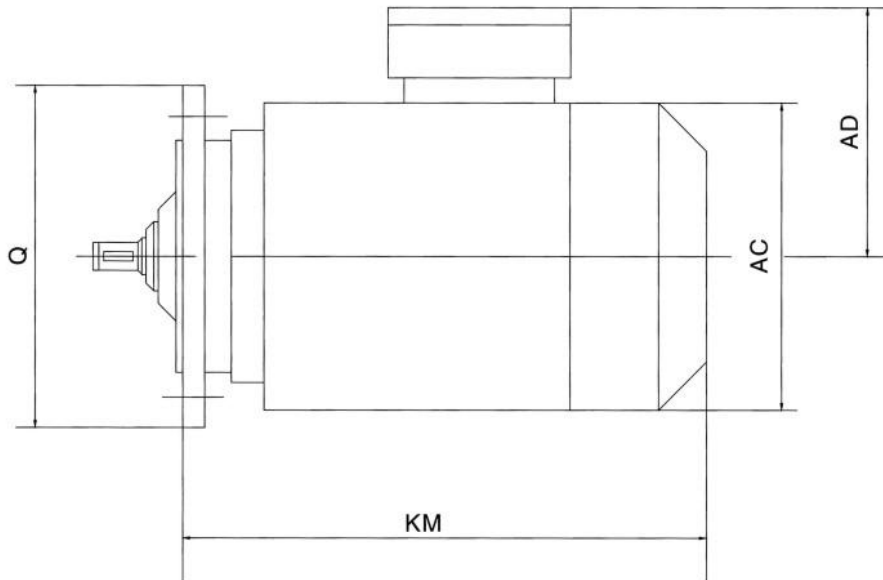
2)适用于锁紧套连接(AQH..)

2)Applies to type with clamping ring hub (AQH)

电机尺寸表/ The size of motor

附件一：电机尺寸表/The size of motor

(仅作参考，以厂家实际尺寸为准)
(for reference only, based on manufacturer's actual size)



电机型号	Q mm	标准 KM mm	YEJ KM mm	YVP KM mm	YVPJ KM mm	AD mm	AC mm
Y63	120	221	275	290	330	70	130
	160	210	264	279	319		
	200	200	254	269	309		
Y71	120	249	300	299	373	80	140
	160	244	295	294	373		
	200	238	289	288	363		
Y80	120	271	330	327	418	145	175
	160	265	324	321	418		
	200	259	318	315	418		
	250	254	313	310	385		
Y90S (L)	120	300	355	350	440	155	195
		325	380	375	465		
	160	295	350	345	440		
		320	375	370	465		

电机型号	Q mm	标准 KM mm	YEJ KM mm	YVP KM mm	YVPJ KM mm	AD mm	AC mm
Y132ML	400	385	468	423	506	168	275
	450	377	460	415	498		
	550	369	452	407	490		
Y160M	200	520	633	562	697	255	315
	250	520	633	562	697		
	300	520	633	562	697		
	350	502	613	542	677		
	400	502	613	542	677		
	450	475	585	515	650		
Y160L	550	476	568	505	603	255	315
	250	565	678	607	742		
	300	565	678	607	742		

电机尺寸表/ The size of motor

电机型号	Q mm	标准 KM mm	YEJ KM mm	YVP KM mm	YVPJ KM mm	AD mm	AC mm
Y90S (L)	200	287	342	337	440	155	195
		312	367	362	465		
	250	283	338	333	415		
		308	363	358	440		
		300	291	342	346		
Y100	120	355	415	400	495	180	215
	160	347	407	392	490		
	200	339	399	389	490		
	250	335	395	380	490		
	300	329	389	375	452		
	350	323	383	370	455		
Y112	160	380	440	420	520	190	240
	200	371	431	411	520		
	250	366	426	406	520		
	300	361	421	401	470		
	350	355	415	395	470		
Y132S	160	420	490	460	580	210	275
	200	408	478	448	580		
	250	403	473	443	580		
	300	398	468	438	580		
	350	392	462	432	545		
	400	385	455	425	543		
	450	369	439	409	543		
Y132M	160	458	528	498	618	210	275
	200	446	516	486	618		
	250	441	511	481	618		
	300	436	506	476	618		
	350	430	500	470	583		
	400	423	493	463	581		
	450	407	477	447	581		
Y132ML	200	408	491	446	529	168	275
	250	403	486	441	524		
	300	398	481	436	519		
	350	392	475	430	513		

注意:

YEJ表示电机增加制动器后的KM值。

YVP表示电机为变频调速三相异步电动机时的KM值。

YVPJ表示电动机为变频调速三相电动机并附带制动器式的KM值。

因空间限制对电机尺寸有要求时请向我公司咨询。

电机型号	Q mm	标准 KM mm	YEJ KM mm	YVP KM mm	YVPJ KM mm	AD mm	AC mm
Y160L	350	547	658	587	722	255	315
	400	547	658	587	722		
	450	520	630	560	695		
	550	518	635	560	695		
Y180M (L)	250	600	685	622	782	280	380
		638	723	660	800		
	300	581	666	603	762		
		619	703	641	781		
	350	581	666	603	762		
		619	703	641	781		
	400	581	666	603	762		
		619	703	641	781		
	450	553	638	575	725		
		591	676	613	753		
Y200	550	581	666	603	763	305	420
		619	703	641	781		
	300	665	795	730	859		
	350	665	795	730	859		
Y225S	400	654	782	717	852	335	470
	450	654	782	717	852		
	550	642	770	705	840		
	300	716	858	770	900		
Y225M	350	680	847	756	886	335	470
	400	680	847	756	886		
	450	674	840	750	880		
	550	669	830	745	875		
	300	741	883	795	925		
Y250M	350	702	872	781	911	370	510
	400	702	872	781	911		
	450	696	865	775	905		
	550	691	860	770	900		
	400	785	932	839	992		
Y280	450	790	936	831	984	408	580
	550	785	931	823	976		
	400	898	1054	943	1099		
Y315	450	890	1046	835	1091	530	635
	550	882	1038	927	1083		
	660	1130	1286	1175	1331		

Notes:

YEJ is the KM value for motor with brake.

YVP is the KM value for asynchronous motor with frequency.

YVPJ is the KM value for asynchronous motor with frequency and brake.

if you have any special requirements, please contact us.

附件二： 润滑油/LUBRICATION

2.1 概述

如果订货时没有商定特殊要求，公司将为您提供适用于减速器及其安装方式的润滑油进行润滑的传动机构。因为这个原因，所以请您在订货时指定与安装方式相关的参数（M1~M6，→“安装方式及重要的订货提供参数”章节）。在后期调整安装方式时，您必须根据改变后的安装方式相应调整加注润滑油（→润滑油注入量）。

2.2 滚动轴承润滑脂

减速器和电动机的滚动轴承在出厂时就加注了润滑脂。对于配有润滑油加注装置的滚动轴承，建议在更换机油时也更换润滑脂。下列润滑脂更换时参考：

2.1 General information

Unless a special arrangement is made, JIACHENG supplies the drives with a lubricant fill adapted for the specific gear unit and mounting position. The decisive factor is the mounting position (M1..M6, → Sec. "Mounting Positions and important Order Information") specified when ordering the drive. You must adapt the lubricant fill in case of any subsequent changes made to the mounting position(→ Lubricant fill quantities).

2.2 Anti-friction bearing greases

The lubricant table on the following page shows the permitted lubricants for JIACHENG gear units. Please note the following key to the lubricant table:

	环境温度	制造厂家	型号	润滑油类型
减速器滚动轴承	-20°C~+60°C	Mobil	Mobilux EP 2	矿物油
	-40°C~+80°C	Mobil	Mobiltemp SHC 100	合成油
电机滚动轴承	-20°C~+80°C	Esso	Unirex EQ 3	矿物油
	-20°C~+60°C	Shell	Alvania RI3	矿物油
	+80°C~+100°C	Kl ü ber	Barrierta L55/2	合成油
	-45°C~+25°C	Shell	Aero Shell Grease 16	合成油

需要下列润滑脂加注量

- 如果是高速运转的轴承(电动机和减速器输入端)：轴承腔中加入三分之一的润滑脂。
- 如果是低速运转的轴承(电动机和减速器输出端)：轴承腔中加入三分之二的润滑脂。

The following grease quantities are required:

For fast-running bearings (motor and gear unit input end): Fill the cavities between the folling elements one third full with grease.

For fast-running bearings (in gear units and at gear unit output end): Fill the cavities between the folling elements one third full with grease.

传动装置润滑油表 Lubricant table

减速机型号 Gear unit type	6) 	DIN (ISO)	ISO, NLGI	Mobil® 	Shell 		ARAL 	bp 	Tribol 		Optiflex 	FUCHS
R...	Standard	CLP (CC)	VG 220	Mobilgear 630	Shell Omala 220	Kuberoil GEM 1-220	Aral Degol BG 220	BP Energol GR-XP 220	Tribol 1100/220	Meropa 220	Optigear BM 220	Renolin CLP 220
	-10 +40	CLP PG	VG 220	Mobil Glygoyle 30	Shell Tivela HD 220	Kubersynth GH 6-220	Aral Degol GS 220	BP Energol SG-XP 220	Tribol 800/220	Synlube CLP 220	Optiflex A 220	Renolin Unisyn CLP 220
4)	-25 +80	CLP HC	VG 220	Mobil SHC 630	Shell Omala HD 220	Kubersynth EG 4-220	Aral Degol PAS 220		Tribol 1510/220	Pinnacle EP 220	Optigear Synthetic A 220	
	-40 +80	CLP HC	VG 150	Mobil SHC 629	Shell Omala HD 150	Kubersynth EG 4-150				Pinnacle EP 150		
K...	-20 +25	CLP (CC)	VG 150	Mobilgear 627	Shell Omala 100	Kuberoil GEM 1-150	Aral Degol BG 100	BP Energol GR-XP 100	Tribol 1100/100	Meropa 150	Optigear BM 100	Renolin CLP 150
	-30 +10	HLP (HM)	VG 68-46	Mobil D.T.E. 13M	Shell Tellus T 32	Kuberoil GEM 1-68	Aral Degol BG 46		Tribol 1100/68	Rando EP Ashless 46	Optigear 32	Renolin B 46 HVI
4)	-40 +10	CLP HC	VG 32	Mobil SHC 624	Shell Tellus T 15	Kubersynth HySyn FG-32				Cetus PAO 46		
	-40 -20	HLP (HM)	VG 22	Mobil D.T.E. 11M	Shell Tellus T 15	Isoflex MT 30 ROT		BP Energol HLP-HM 15		Rando HDZ 15		
F...	Standard	CLP (CC)	VG 680	Mobilgear 636	Shell Omala 680	Kuberoil GEM 1-680	Aral Degol BG 680	BP Energol GR-XP 680	Tribol 1100/680	Meropa 680	Optigear BM 680	Renolin CLP 680
	-20 +60	CLP PG	VG 680 1)	Mobil SHC 634	Shell Omala HD 460	Kubersynth EG 4-460		BP Energol SG-XP 680	Tribol 800/680	Synlube CLP 680		
4)	-30 +80	CLP HC	VG 460	Mobil SHC 629	Shell Omala HD 150	Kubersynth EG 4-150				Pinnacle EP 460		
	-40 +10	CLP HC	VG 150	Mobil SHC 629	Shell Omala HD 150	Kubersynth EG 4-150				Pinnacle EP 150		
S...	-20 +10	CLP (CC)	VG 150	Mobilgear 627	Shell Omala 100	Kuberoil GEM 1-150	Aral Degol BG 100	BP Energol GR-XP 100	Tribol 1100/100	Meropa 100	Optigear BM 100	Renolin CLP 150
	-25 +20	CLP PG	VG 220 1)	Mobil Glygoyle 30	Shell Tivela S 220	Kubersynth GH 6-220			Tribol 800/220	Synlube CLP 220	Optiflex A 220	
4)	-40 0	CLP HC	VG 32	Mobil SHC 624	Shell Tivela S 220	Kubersynth GH 6-220				Cetus PAO 46		
	-30 +40	HCE 	VG 460		Shell Cassida Fluid GL 460	Kuberoil 4UH1-460 N	Aral Eural Gear 460				Optileb GT 460	
R...K... F...S...	-20 +40	E 	VG 460		Shell Cassida Fluid GL 460	Kuberoil 4UH1-460 N	Aral Degol BAB 460				Optisyn BS 460	
	Standard	DIN 51 818 5)	00	Glygoyle Grease 00	Shell Tivela GL 00	Kubersynth GE 46-1200	Aralub MFL 00	BP Energol LS-EP 00		Multifak 6833 EP 00		
F27 R17 R27	-15 +40	5)	000 - 0	Mobilux EP 004	Shell Alvania GL 00					Multifak EP 000	Longtime PD 00	Renolin SF 7 - 041

注：以上表格中上色部分为合成油产品，空白为该品牌无此系列产品。

Notes: In the above table, the color part is synthetic products and the blank one means no this series products.